



专业化、现代化、规范化
Specialization, Modernization, Standardization



PULLOS VALVE



天津普洛斯阀门有限公司 TIANJIN PULLOS VALVE CO., LTD.

地址：天津市津南区北闸口镇
火炬路3号-1号

Add:No. 3-1, Huoju Road, BeiZhakou Town,
Jinnan District, Tianjin, China

电话: 022-88622721

Tel: +86-22-88622721

传真: 022-88622721

Fax: +86-22-88622721

手机: 18702268666

Mob.: +86-18702268666

<http://www.plsvalve.com/>

E-mail: William@plsvalve.com



企业官网



Website

天津普洛斯阀门有限公司 TIANJIN PULLOS VALVE CO., LTD.

 **JPLS** valves



企业简介 Brief Introduction

天津普洛斯阀门有限公司工厂地址座落于天津市津南区，是一家集科研、设计、生产、销售及售后服务为一体的专业阀门制造商。公司成立以来发展迅速，业务不断发展壮大，公司主营产品有中线蝶阀，软密封蝶阀，脱硫蝶阀，污水处理蝶阀，防结露蝶阀等等。

产品通径范围：1"-88"/DN15-DN2200(可依据客户要求定制生产更大口径)，包含了不锈钢304、/316、316L，铸钢WCB，球墨铸铁QT450，镍铝青铜C95400、C95800，哈氏合金钢2205、2507、4592，铝合金等材质类别，产品广泛应

用于水利，电厂，污水处理厂，造纸厂等行业，远销国内外。公司自创建伊始就本着高标准、高科技、高起点、大规模的经营战略；拥有先进的生产设备、精湛的生产技术、严密的检测手段；并且已通过ISO9001国际质量体系认证，ISO14001国际环境体系认证，ISO45001:2018职业健康安全管理体系认证，不断提高产品的核心竞争力和客户满意度。在现如今市场价格竞争激烈的环境下，我公司始终秉承着“培养优秀员工、生产优质产品、提供优良服务”的企业宗旨，坚持不懈的追求优良品质，为新老客户解决后顾之忧，希望能与您合作共赢，共创美好明天。

The factory address of Tianjin Pulos Valve Co.,Ltd. is located in Jinnan District, Tianjin City, China, which is a professional valve manufacturer integrating scientific research, design, production, sales and after-sales service. The company has developed rapidly since its establishment, and business has continued to grow. The company's main products include central line butterfly valves, soft seal butterfly valves, desulfurization butterfly valves, sewage treatment butterfly valves, anti-condensation butterfly valves, etc.

Nominal Diameter : 1/2"-48"/DN15-DN1200 (Larger upon request)
Pressure Rating: 150Lb-2500Lb, PN6-PN420. Main Materials: ANSI/ASTM WCB (A105), WC1 (F1), C5 (F5), WC6 (F11), WC9 (F22), LCB (LF2), CF8 (304), CF8M (316), CF3 (304L), CF3M (316L), CN7M (B462/NO8020), Monel, Duplex, Inconel, Hastelloy, Cast iron, Ductile iron, etc. Products are widely used in water conservancy, power plants,

sewage treatment plants, paper mills and other industries, and are exported to local and abroad. Since its establishment, the company has been following a high-standard, high-tech, high starting point, and large-scale business strategy; it has advanced production equipment, superb production technology, and strict testing methods; and has passed ISO9001 international quality system certification, ISO14001 international environment System certification, ISO45001:2018 occupational health and safety management system certification, continuously improve the core competitiveness of products and customer satisfaction. Now in the fierce market price competition environment, our company always adheres to the tenet of "cultivating excellent employees, producing high-quality products and providing excellent services", persistently pursues excellent quality, solves the worries for new and old customers, and hopes to cooperate with you for in-win-win cooperation relationship and create a better tomorrow together.

普洛斯一直坚持严格控制把关每一个环节、每一道工序，从设计研发到生产作业各个环节的质量状况。检测系统流程均按照国际先进的行业标准要求，自产品设计就纳入一套极其严谨、精确的程序之中，从设计、采购、制造、试验、包装到运输，每个环节都要经历苛刻的检测程序，将精度控制到最严密，产品品质控制到最优异，对每一细微之处的精益求精，都控制到最完美，让客户在使用的同时，深切感受到我们严谨务实的品质宗旨……

PULOS has been adhering to the strict control of every link, every process, from design and development to the quality of the production operation of each link. Detection system processes are in accordance with the international advanced industry standard requirements, from product design into an extremely rigorous, accurate procedure, from the design, procurement, manufacturing, testing, packaging to shipping, every link have to undergo rigorous testing procedures, the precision control to the most rigorous, product quality control to the most excellent, keep improving every tiny point, control to the most perfect, let the customer in use at the same time, deeply felt our rigorous pragmatic quality objective...

专业化、现代化、规范化
Specialization, Modernization, Standardization



工欲善其事，必先利其器，我们深知设备对企业发展的重要，多年来一直不遗余力的对软硬件设施进行更新改制。不但引进了国外各种先进设备和生产技术，同时还对专用装备进行开发，自动连续化生产线已经实现。生产体系的完善构筑，使企业在行业已更专业也更全面。

If a workman would do his work well, he must first sharpen his tools. We are fully aware of the importance of equipment for enterprise development, and have spared no effort to update and reform the hardware and software facilities for many years. Not only the introduction of various foreign advanced equipment and production technology, but also the development of special equipment, automatic continuous production line has been achieved. The perfect construction of the production system makes the enterprise more professional and comprehensive in the industry.

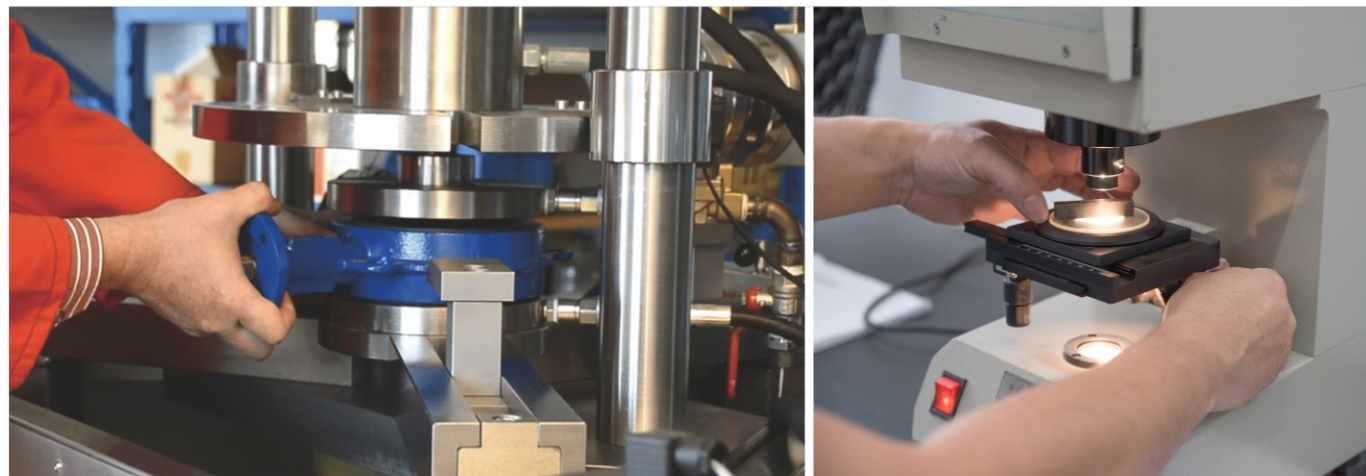




产品检测 Product Testing

为了提供高品质产品，公司配置了先进的检测设备以及完善的检测手段，建立了一支严格要求的品质管理队伍，实现了从原材料检测，生产过程检测，产品及应用全过程的质量控制。

In order to provide high quality products, the company has equipped with advanced testing equipment and perfect testing methods, established a strict quality management team, and realized the quality control of the whole process from raw material testing, production process testing, products and applications.



普洛斯阀门以市场为导向，以客户为中心以质量求生存，以效率求发展，求真务实，开拓创新，所生产的优质产品服务于众多客户，并获得良好的口碑，深受客户一致好评！

PULOS valve is market-oriented, customer-oriented, strives for survival by quality, strives for development by efficiency, is pragmatic, develops and innovates. The quality products produced by Pulos valve serve many customers and have won good public praise and been well received by customers!



资质荣誉 Qualification Honor

ΦJPLS valves



资质荣誉 Qualification Honor



产品集锦 Product highlights

 对夹手柄蝶阀 Wafer handle butterfly valve	 手柄全衬四氟蝶阀 Handle fully lined teflon butterfly valve	 铝合金手柄蝶阀 Aluminum alloy handle butterfly valve	 小口径对夹蝶阀 Small diameter wafer butterfly valve	 凸耳式对夹蝶阀 Lug type wafer butterfly valve	 对夹涡轮蝶阀 Wafer turbine butterfly valve
 多标准对夹蝶阀 Multi-standard wafer butterfly valve	 对夹脱硫蝶阀 Desulfurization wafer butterfly valve	 LT对夹蝶阀 LT clamp butterfly valve	 铝合金防结露蝶阀 Al-alloy anti-condensation butterfly valve	 全不锈钢对夹蝶阀 All stainless steel wafer butterfly valve	 全不锈钢衬四氟蝶阀 All stainless steel lined tetrafluoro-butterfly valves
 铸钢涡轮对夹蝶阀 Cast steel turbine wafer butterfly valve	 铸钢四氟对夹蝶阀 Cast steel tetrafluoro wafer butterfly valve	 消防信号蝶阀 Fire signal butterfly valve	 对夹衬氟蝶阀 Fluorine lined wafer butterfly valve	 涡轮法兰蝶阀 Gear operated flange butterfly valve	 全不锈钢法兰蝶阀 All stainless steel flanged butterfly valve
 不锈钢法兰衬四氟蝶阀 Stainless steel flanged teflon butterfly valve	 法兰衬氟蝶阀 Fluorine lined flange butterfly valve	 电动法兰蝶阀 Electric actuator operated flange butterfly valve	 U型法兰蝶阀 U type flange butterfly valve	 船用短法兰蝶阀 Marine short flange butterfly valve	 船用半凸耳蝶阀 Marine semi-lug butterfly valve
 船用V系列蝶阀 Marine V series butterfly valves	 船用LT系列蝶阀 Marine LT series butterfly valve	 船用气动蝶阀 Marine pneumatic butterfly valve	 无孔手柄对夹蝶阀 Lever operated non-hole wafer butterfly valve	 伸缩蝶阀 Telescopic butterfly valve	 偏心软密封蝶阀 Eccentric soft sealing butterfly valve

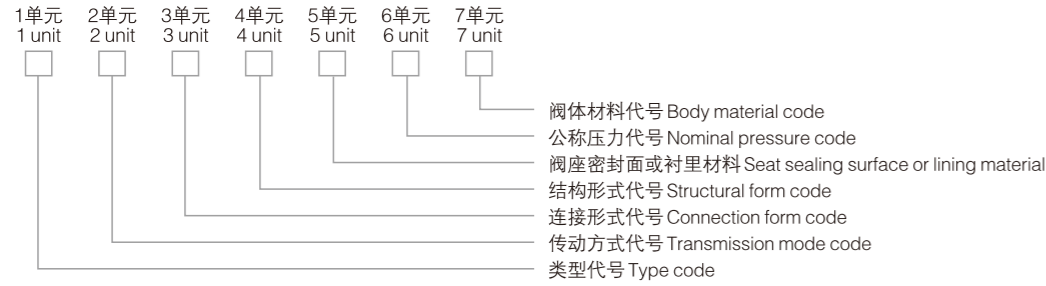
产品集锦 Product highlights

 加长杆软密封蝶阀 Extended stem soft seal butterfly valve	 加长杆硬密封蝶阀 Extended stem hard seal butterfly valve	 三偏心金属硬密封法兰蝶阀 Three eccentric metal hard seal flange butterfly valve	 三偏心金属硬密封对夹蝶阀 Three eccentric metal seals wafer butterfly valve	 电动三偏心金属硬密封蝶阀 Electric three-eccentric metal hard seal butterfly valve	 VSSJAF型双法兰传力接头 Double flanged joint force
 蝶阀对夹止回阀 Wafer check valve	 美标铸钢/不锈钢旋启式止回阀 ANSI Cast steel / stainless steel swing check valve	 日标铸钢/不锈钢旋启式止回阀 JIS Cast steel / stainless steel swing check valve	 升降式止回阀 Lift check valve	 球形止回阀 Ball check valve	 橡胶瓣止回阀 Rubber disc check valve
 英标软密封明杆闸阀 BS5163 Resilient Seat OS & Y Gate Valve	 德标铸铁硬密封闸阀F4 DIN Cast iron hard seal gate valve F4	 英标软密封暗杆闸阀 BS5163 Resilient Seat Non-rising Stem Gate Valve	 德标铸钢/不锈钢闸阀F4 DIN Cast steel/stainless steel gate valve F4	 日标铸钢/不锈钢闸阀10K JIS Cast steel/stainless steel gate valve 10K	 手动凸耳/法兰式刀型闸阀 Manual lug/flanged knife gate valve
 电动刀型闸阀 Electric knife gate valve	 日标铸钢球阀10K JIS Cast steel ball valve 10K	 美标铸钢/不锈钢球阀 ANSI Cast steel stainless steel ball valves	 德标铸铁球阀 DIN Cast iron ball valve	 2片式丝扣球阀 2PC Threaded ball valve	 1片式丝扣球阀 1PC Threaded ball valve
 德标波纹管截止阀 DIN Cast steel bellows globe valves	 视盅 Sight cup	 视镜 Sight glass	 底阀 Foot valve	 单球橡胶接头 Single ball rubber joint	 液位计 Level gauge

阀门的编号和选型 Valve number and selection

阀门型号由7个单位组成：其含义如图所示：

Valve type consists of 7 units: its meaning is shown in the figure:



阀类型代号用汉语拼音字母表示 The valve type code is denoted by Chinese phonetic alphabet

阀门类型 Valve Type	蝶阀 Butterfly valve	闸阀 Gate valve	止回阀和底阀 Check valve and bottom valve	截止阀 Globe valve	球阀 Ball valve	节流阀 Throttle valve
代号 Code	D	Z	H	J	Q	L

注：低温(低于-40)、保温(带加热套)和带波纹管的阀门，在类型代号前分别加“D”“B”和“W”汉语拼音。

Note: "D", "B" and "W" should be added before the type code for low-temperature (less than -40), thermal insulation (with heating sleeve) and bellows valve.

传动方式代号用阿拉伯数字表示 The transmission code is expressed in Arabic numerals

传动方式 Transmission mode	电磁阀 Solenoid valve	电磁-液动 Electromagnetic-hydrodynamic	电-液动 Electrical and hydraulic	蜗轮 Worm gear	正齿轮 Spur gear	伞齿轮 Bevel gear	气动 Pneumatic	液动 Hydraulic	汽-液动 Vapor-Hydraulic	电动 Electric
代号 Code	0	1	2	3	4	5	6	7	8	9

注：1、手轮、手柄和板手传动以及安全阀、减压阀、疏水阀省略本代号。

2、对于手动或流动；常开式用6K、7K表示；常闭式用6B、7B表示；气动带手动用6S表示；防爆电动用9B表示。

Note: 1. Handwheel, handle and plate hand drive, as well as safety valve, pressure reducing valve and trap valve omit this code.

2. For manual or flow; Normally open expressions are expressed by 6K and 7K; Normally closed forms are 6B and 7B; Pneumatic belt hand use 6S; Explosion-proof power use 9B.

连接形式用阿拉伯数字表示 The connection form is represented by Arabic numerals

连接形式 Connection	内螺纹 Internal thread	外螺纹 External thread	法兰 Flange	焊接 Welding	对夹 Wafer
代号 Code	1	2	4	6	7

注：焊接包括对焊和承插焊。 Note: Welding includes butt welding and socket welding.

阀座材料代号用汉语拼音字母表示 The material code of valve seat is indicated by Chinese phonetic alphabet

公称压力代号用阿拉伯数字表示，其数值是以兆帕为单位的公称压力的10倍。

The nominal pressure code is expressed in Arabic numerals and the value is 10 times the nominal pressure in mepa.

阀体材料 Body material	代号 Code	阀体材料 Body material	代号 Code
灰铸铁 Gray cast iron	Z	1Cr5Mo, ZG1Cr5Mo	I
可锻铸铁 Malleable iron	K	1Cr18Ni9Ti, ZG1Cr5Mo	P
球墨铸铁 Nodular cast iron	Q	1Cr18Ni12Mo2Ti, ZG1Cr18Ni12Mo2Ti	R
铜及铜合金 Copper and copper alloys	T	12CrMoV, ZG12CrMoV	V
碳钢 Carbon steel	C		

注：PN≤1.6MPa的灰铸铁和PN≤2.5MPa的碳素钢，阀体省略本代号。

Note: For gray cast iron with PN≤1.6MPa and carbon steel with PN≤2.5MPa, this code is omitted for valve body.

结构形式用阿拉伯数字表示 The structural form is represented by Arabic numerals

代号 Code	0	1	2	3	4	5	6	7
类型 Type	结构形式 Structural style							
闸阀 Gate valve	明杆 Rising stem				暗杆 Non-rising stem			
	弹性闸板 Flexible disc		刚性 Rigid		平行式 Parallel		楔式 Wedge	
	单闸板 Single disc	双闸板 Double disc	单闸板 Single disc	双闸板 Double disc	单闸板 Single disc	双闸板 Double disc	单闸板 Single disc	双闸板 Double disc
截止阀 Globe valve	直流式 Straight-flow		角式 Angle		平衡 Balance		直角式 Right-angle	
节流阀 Throttle valve	直流式 Straight-flow		角式 Angle		平衡 Balance		直角式 Right-angle	
球阀 Ball valve	浮动球 Floating ball				固定球 Fixed ball			
	直通式 Straight through	Y型三通式 Y-type tee	L型三通式 L-type tee	T型三通式 T-type tee	四通式 Four way pattern	直通式 Straight through		
止回阀 Check valve	升降式 Lifting type		旋启式 Swing		单瓣式 Single lobe		多瓣式 Multi lobed	
	直通式 Straight through	立式 Vertical	双瓣式 Double disc type					
蝶阀 Butterfly valve	杠杆式 Lever type	垂直式 Vertical	单偏心 Single eccentric	双(三)偏心				

阀座密封面或衬里材料代号用汉语拼音字母表示 Valve seat sealing surface or lining material code in Chinese pinyin letters

阀座密封面或衬里材料 Seat sealing surface or lining material	铜合金 Copper alloy	橡胶 Rubber	尼龙塑料 Nylon plastic	氟塑料 Fluorine plastic	锡基油承合金 Tin base oil bearing alloy	合金钢 Alloy steel	渗氮钢 Ammoniated steel	硬质合金 Cemented carbide	衬胶 Rubber lining	衬铅 Lead lining	搪瓷 Enamel	衬碳钢 Boron lined steel
代号 Code	T	X	N	F	B	H	D	Y	J	Q	C	P

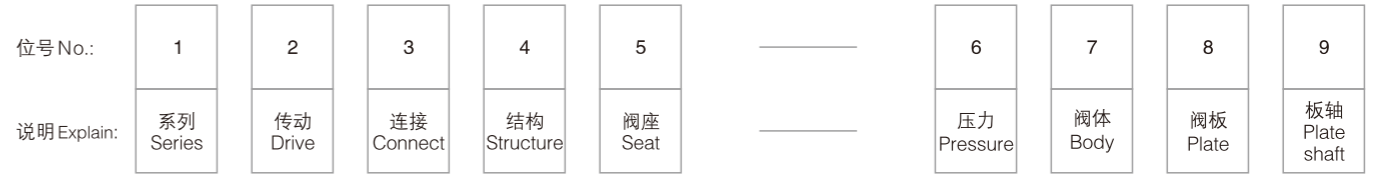
注：由阀体直接加工阀座密封面材料用“W”表示，当阀座和阀瓣(闸板)密封材料不同时，用低硬度材料代号(除隔膜阀外)。

Note: Valve body directly machined seat sealing surface material is represented by "W", When seat and disc (gate) sealing material is not the same, low hardness material code is used (except diaphragm valve).

蝶阀产品型号编码 Butterfly valve product model No

例：MD37A1X3-16QB2Y1：MD系列，蜗轮装置，对夹式，中心垂直板式，EPDM阀座，1.6MPa(200PSI)，球体，铜板，有销。

Example: Series MD, Worm Gear, Wafer, Concentric Disc, EPDM Seat, 1.6 Mpa (200PSI), DI Body, ALB Disc, with Pin.



1系列 Series	Code	5阀座材料 Seat Material	Code	8阀板材料 Disc Material	Code
609双耳蝶阀 609 BFV	AD	天然橡胶 NR(Natural Rubber)	X1 J1	球墨铸铁镀镍 DuctileIron+Plated Ni	B1
对夹衬胶蝶阀 Bonded Seat BFV	BD	海帕伦 Hypalon	X2 J2	铝青铜 AL-Bronze	B2
欧式软座蝶阀 Europe Soft-Seat BFV	ED	乙丙橡胶 EPDM	X3 J3	球墨铸铁衬胶板 Disc Lined Rubber	B3
衬氟塑料蝶阀 Lined Teflon BFV	FD	氯丁橡胶 Neoprene Rubber	X4 J4	双相不锈钢 2507 Duplex Stainless Steel	B4
沟槽式蝶阀 Grooved End BFV	GD	丁腈橡胶 NBR(BUNA·N)	X5 J5	奥氏体不锈钢 CF8M	B5
高性能蝶阀 HPBV BFV	HD	耐磨橡胶 Wear-Resistant Rubber	X6 J6	超级奥氏体不锈钢 1.4529 Super Austenitic Stainless Steel	B6
对夹金属蝶阀 Metal Seated BFV	JD	氟橡胶 Viton	X7 J7	奥氏体不锈钢 CF8	B7
无耳对夹蝶阀 Long Neck BFV	KD	硅橡胶 Silicon Rubber	X8 J8	双相不锈钢 1.4469	B8
马克对夹蝶阀 Mark BFV	MD	耐热乙丙橡胶 Heat-Resistant EPDM	X9 J9	蒙耐尔合金 Monel	B9
澳式对夹蝶阀 Australia BFV	PD	白色丁腈橡胶 White NBR	XA JA	超低碳奥氏体不锈钢 CF3	BA
螺纹连接蝶阀 Screw End BFV	SD	白色乙丙橡胶 White EPDM	XB JB	超低碳奥氏体不锈钢 CF3M	BB
对夹法兰蝶阀 U-Section BFV	UD	食品级乙丙橡胶 (NSF) EPDM (NSF)	XC JC	铸钢 WCB	BC
高压重型蝶阀 Heavy Duty BFV	VD	氟橡胶 B26 Viton B26	XD JD	球墨铸铁喷涂尼龙 Nylon 11 Coating	BN
欧式硬座蝶阀 Europe Hard-Seat BFV	YD	聚氨酯 Polyurethane	XE JE	球铁涂环氧树脂 EPOXY Coating	BE
2 传动方式 Actuator	Code	聚四氟乙烯 Teflon	F4 JF	球铁喷涂氟塑料 PTFE Coating	BP
光轴 Bare Shaft	0	X-硬靠背阀座 Hard Seat		超级奥氏体不锈钢 1.4529 Super Austenitic Stainless Steel	BL
手柄 Handle Lever	1	J-无靠背软阀座 Soft Seat		哈氏合金 Hastelloy Alloy B	BH
蜗轮装置 Worm Gear	3	6 压力级 Pressure Rating	Code	球墨铸铁搪瓷 Ceramic Coating	BT
气动 Pneumatic	6	1.0MPa (美标 150 PSI Code:150)	10	9 板轴连接结构 Connection	
电动 Electric Actuator	9	1.6MPa (美标 200 PS I Code:200)	16	通毅板通轴有销连接(有销结构) Hub plate and shaft with pin key connection (pin structure)	Y1
3 连接式 Connection	Code	2.0MPa (美标 285 PSI Code:285)	20	通毅板通轴有销方连接(有销结构) Through-hub plate through-shaft pin connection (pin structure)	Y2
对夹 Wafer	7A	2.5MPa (美标 350 PSI Code:350)	25	通毅连杆半轴弹挡式方头(无销) 2"-14" Half shaft of through-hub connecting rod spring baffle square head (without pin) 2"-14"	W1
单夹 Lug	7L	7 阀体材料 Body material	Code	半毅板半轴弹挡下侧销方轴头(无销) Half hub plate and half axle spring baffle lower side pin shaft head (without pin)	W2
U型法兰 U-Section Flanged	7B	灰铸铁 Cast Iron	Z	通毅板半轴弹挡下侧销方轴头(无销) Shaft head (without pin) on lower side pin of through-hub plate	W3
卡箍 Grooved	8A	球墨铸铁 Ductile Iron	Q	通毅板半轴对开环方轴头(无销) ≥ 16" Hub plate half shaft split ring square shaft head (without pin) ≥ 16"	W4
内螺纹 Screw	1A	铸钢 WCB	C	通毅板半轴对开环键轴头(无销) ≥ 16" Through hub plate half shaft spline spring stop square shaft head (without pin) ≥ 16"	W5
4 板结构 Disc Structure	Code	铝青铜 AL-Bronze	T	通毅板花键弹挡方轴头(无销) 1.5"-14" Through hub plate half shaft spline spring stop square shaft head (without pin) 1.5"-14"	W6
中心板式 Conccentric	1	奥氏体不锈钢 CF8	P		
单偏心式 Single Eccentric	2	奥氏体不锈钢 CF8M	R		
双偏心式 Double Eccentric	3	低温钢 LC1	L		

蝶阀系列
Butterfly valve series

多标准对夹蝶阀	01
Multi-standard wafer butterfly valve	
双法兰蝶阀	02
Double flange butterfly valve	
脱硫蝶阀	03
Desulfurization butterfly valve	
防结露蝶阀	04
Anti-condensation butterfly valve	
凸耳式对夹蝶阀	05
Lug type wafer butterfly valve	
双法兰电动软密封蝶阀	06
Double flange electric soft seal butterfly valve	
消防信号蝶阀	07
Fire signal butterfly valve	
偏心软密封蝶阀	08
Eccentric soft sealing butterfly valve	
加长杆软密封蝶阀	09
Extended stem soft seal butterfly valve	
三偏心金属硬密封对夹蝶阀	10
Three eccentric metal seals wafer butterfly valve	
三偏心金属硬密封法兰蝶阀	11
Three eccentric metal hard seal flange butterfly valve	
电动三偏心金属硬密封蝶阀	12
Electric three-eccentric metal hard seal butterfly valve	
加长杆硬密封蝶阀	13
Extended stem hard seal butterfly valve	
对夹衬氟蝶阀	14
Fluorine lined wafer butterfly valve	
双法兰衬氟蝶阀	15
Fluorine lined double flange butterfly valve	
U型法兰蝶阀	16
U type flange butterfly valve	
伸缩蝶阀	17
Telescopic butterfly valve	
管道伸缩器	18
Expansion joint	

船用蝶阀
Marine butterfly valve

船用短法兰蝶阀	19
Marine short flange butterfly valve	
船用半凸耳蝶阀	20
Marine semi-lug butterfly valve	
船用V系列蝶阀	21
Marine V series butterfly valves	
船用LT系列蝶阀	22
Marine LT series butterfly valve	
船用气动蝶阀	23
Marine pneumatic butterfly valve	

止回阀系列
Check valve series

蝶式对夹止回阀	24
Wafer check valve	
美标铸铁旋启式止回阀	25
ANSI Cast iron swing check valve	
美标铸钢/不锈钢旋启式止回阀	26
ANSI Cast steel / stainless steel swing check valve	
日标铸铁旋启式止回阀10K	28
JIS Cast iron swing check valve 10K	
日标铸钢/不锈钢旋启式止回阀	29
JIS Cast steel / stainless steel swing check valve	
升降式止回阀	30
Lift check valve	

球形止回阀	31
Ball check valve	
橡胶瓣止回阀	32
Rubber disc check valve	

闸阀系列
Gate valve series

英标软密封闸阀	33
BS Soft sealing gate valve	
日标铸铁闸阀	34
JIS Cast iron gate valve	
日标铸钢/不锈钢闸阀10K	35
JIS Cast steel/stainless steel gate valve 10K	
德标铸铁硬密封闸阀F4	36
DIN Cast iron hard seal gate valve F4	
德标铸铁硬密封闸阀F5	37
DIN Cast iron hard seal gate valve F5	
德标铸钢/不锈钢闸阀F4	38
DIN Cast steel/stainless steel gate valve F4	
德标铸钢/不锈钢闸阀F5	39
DIN Cast steel/stainless steel gate valve F5	
手动凸耳/法兰式刀型闸阀	40
Manual lug/flanged knife gate valve	
气动刀型闸阀	41
Pneumatic knife gate valve	
电动刀型闸阀	42
Electric knife gate valve	

球阀系列
Ball valve series

1片式丝扣球阀	43
1PC Threaded ball valve	
2片式丝扣球阀	44
2PC Threaded ball valve	
德标铸铁球阀	45
DIN Cast iron ball valve	
日标铸铁球阀	46
JIS Cast iron ball valve	
美标铸铁球阀	47
ANSI Cast iron ball valve	
日标铸钢球阀10K	48
JIS Cast steel ball valve 10K	
美标铸钢/不锈钢球阀	49
ANSI Cast steel/stainless steel ball valves	

截止阀系列
Globe valve series

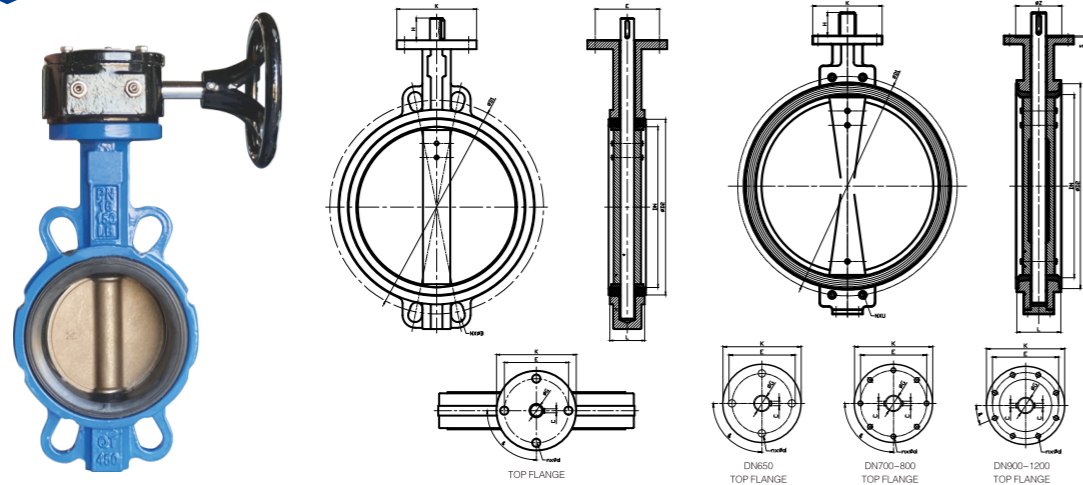
德标波纹管截止阀	50
DIN Cast steel bellows globe valves	
日标截止阀	51
JIS globe valves	
美标截止阀	52
ANSI globe valves	
底阀	54
Foot Valve	
丝扣橡胶软接头	56
Rubber soft connector for screw thread	
单球橡胶接头	57
Single ball rubber joint	
双球橡胶接头	58
Double ball rubber joint	
液位计	59
Level gauge	
视盅	60
Sight cup	
视镜	61
Sight glass	





ΦJPLS valves

脱硫蝶阀 Desulfurization butterfly valve



主要零件及材料 Material of main parts

零件名称 Part name	材料 Material
阀体 Body Materials	灰铁 Cast Iron, 球墨铸铁 Ductile Iron 碳钢 WCB, 不锈钢 Stainless Steel, 铜 Bronze
阀座 Seat Materials	脱硫乙丙橡胶 Desulphurized ethylene propylene rubber, 聚四氟乙烯 Teflon, 氟橡胶 Fluorine rubber
蝶板 Disc Materials	2205, 2507, 1.4469, 1.4529等 2205, 2507, 1.4469, 1.4529 Etc
阀轴 Stem Materials	SS416, SS304, SS316
连接方式 End Connection	对夹 Wafer
驱动方式 Operate	手柄 Manual, 涡轮 Worm gear, 气动 Pneumatic, 电动 Electric-Motorized
蝶板类型 Disc type	通轴无销 One stem no-pin, 双半轴 Double stem no-pi

设计标准 Valve design

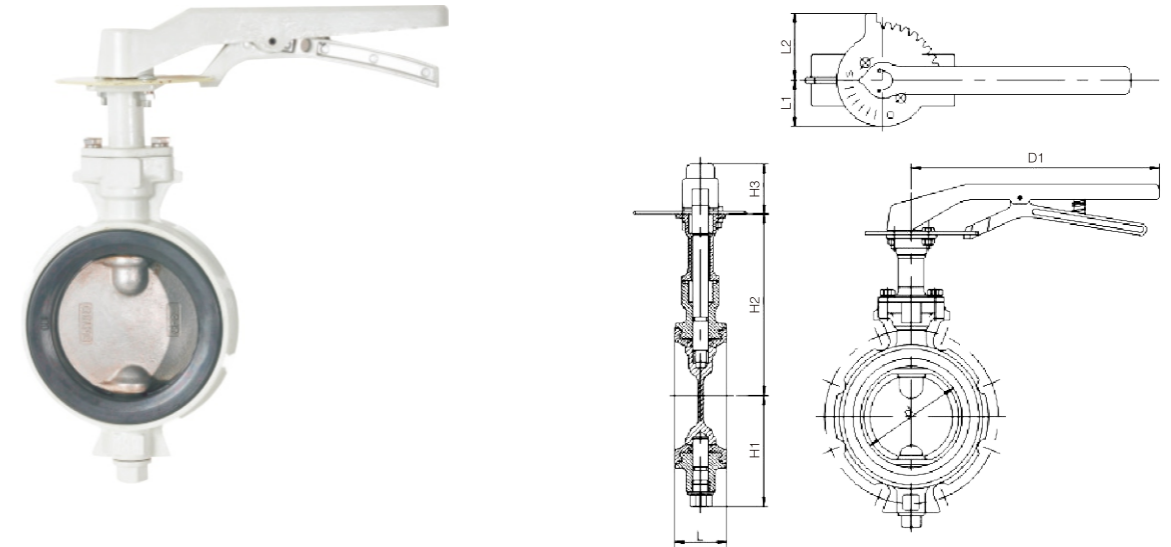
技术规范 Technical specification	
设计标准 Valve design	GB/T12238, API 609, MSS SP-67
结构长度 Face to Face	GB/T12221, API 609, MSS SP-67, DIN3202, BS EN558-1
试验标准 Pressure test	GB/T13927, API 598
连接法兰 Flange Drilling	GB/T17241.6, ANSI B16.1 Class125, BS4504 PN10/PN16 DIN2501 PN10/PN16
上法兰 Top Flange	可定制为5211标准 It can be customized to 5211 standard

主要外形及连接尺寸 Main external and connecting dimensions(mm)

DN	NPS	Φ D1			Φ D2	N × U			L	H	K	E	Φ G	C	n × Φ d	&
		PN10	PN16	150LB		PN10	PN16	150LB								
40	1 1/2"	110	110	98.4	70	4 × Φ19	4 × Φ19	4 × Φ16	33	28	77	57	Φ12.6	3	4 × Φ7	90°
50	2"	125	125	120.7	73	4 × Φ19	4 × Φ19	4 × Φ19	43	28	77	57	Φ12.6	3	4 × Φ7	90°
65	2 1/2"	145	145	139.7	85	4 × Φ19	4 × Φ19	4 × Φ19	46	28	77	57	Φ12.6	3	4 × Φ7	90°
80	3"	160	160	152.4	100	4(8) × Φ19	4(8) × Φ19	4 × Φ19	46	28	77	57	Φ12.6	3	4 × Φ7	90°
100	4"	180	180	190.5	131	4(8) × Φ19	4(8) × Φ19	4(8) × Φ19	52	32	92	70	Φ15.77	5	4 × Φ10	90°
125	5"	210	210	215.9	155	4(8) × Φ19	4(8) × Φ19	4(8) × Φ22	56	32	92	70	Φ18.92	5	4 × Φ10	90°
150	6"	240	240	241.3	185	4(8) × Φ23	4(8) × Φ23	4(8) × Φ22	56	32	92	70	Φ18.92	5	4 × Φ10	90°
200	8"	295	295	298.5	234	4(8) × Φ23	4(12) × Φ23	4(8) × Φ22	60	42	115	89	Φ22.1	5	4 × Φ14	90°
250	10"	350	355	362	288	4(12) × Φ23	4(12) × Φ28	4(12) × Φ26	68	45	115	89	Φ28.45	8	4 × Φ14	90°
300	12"	400	410	431.8	340	4(12) × Φ23	4(12) × Φ28	4(12) × Φ26	78	45	140	108	Φ31.6	8	4 × Φ14	90°
350	14"	460	470	476.3	371	4(16) × Φ23	4(16) × Φ28	4(12) × Φ29	78	45	140	108	Φ31.6	8	4 × Φ14	90°
400	16"	515	525	539.8	435	4(16) × Φ28	4(16) × Φ31	4(16) × Φ29	86/102	55	197	159	Φ33.15	10	4 × Φ20	90°
450	18"	565	585	577.9	486	4(20) × Φ28	4(20) × Φ31	4(16) × Φ32	104/114	55	197	159	Φ37.95	10	4 × Φ20	90°
500	20"	620	650	635	531	4(20) × Φ28	4(20) × Φ34	4(20) × Φ32	130/127	55	197	159	Φ41.15	10	4 × Φ20	90°
550	22"	675	710	692.1	600	4(20) × Φ31	4(20) × Φ34	4(20) × Φ35	150	55	197	159	Φ41.15	10	4 × Φ20	90°
600	24"	725	770	749.3	650	4(20) × Φ31	4(20) × Φ37	4(20) × Φ35	154	70	276	216	Φ50.65	16	4 × Φ22	90°
650	26"	780	790	806.4	715	4(24) × M27	4(24) × M33	4(24) × 1 1/4-BUN	172	70	276	216	Φ50.65	16	4 × Φ22	90°
700	28"	840	840	863.6	770	4(24) × M27	4(24) × M33	4(28) × 1 1/4-BUN	165	80	300	254	Φ63.35	2 × 18	8 × Φ18	90°
750	30"	900	900	914.4	815	4(24) × M30	4(24) × M33	4(28) × 1 1/4-BUN	167	80	300	254	Φ63.35	2 × 18	8 × Φ18	90°
800	32"	950	950	977.9	901	4(24) × M30	4(24) × M36	4(28) × 1 1/2-BUN	190	80	300	254	Φ63.35	2 × 18	8 × Φ18	90°
900	36"	1050	1050	1085.8	973	4(28) × M30	4(28) × M36	4(32) × 1 1/2-BUN	203	110	300	254	Φ75	2 × 20	8 × Φ18	22.5°
1000	40"	1160	1170	1200.2	1060			4(36) × 1 1/2-BUN								
1100	44"	1270	1270	1314.4	1184	4(32) × M33	4(32) × M69	4(40) × 1 1/2-BUN	251	120	300	254	Φ95	2 × 25	8 × Φ18	22.5°
1200	48"	1380	1390	1422.4	1320			4(44) × 1 1/2-BUN								

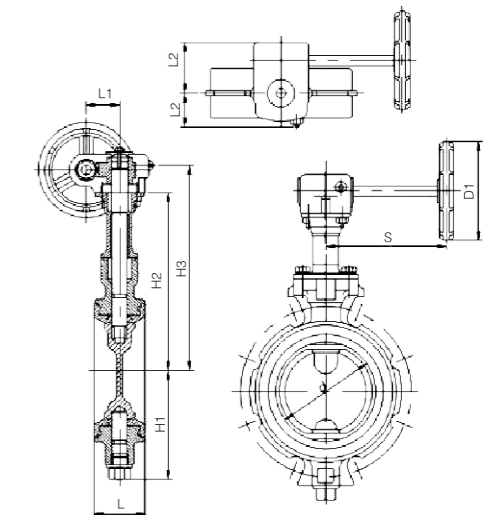
ΦJPLS valves

防结露蝶阀 Anti-condensation butterfly valve



主要外形及连接尺寸 Main external and connecting dimensions(mm)

Size		d	L	H1	H2	H3	L1	L2	D1
inch	mm								
1 1/2"	40	42	33	70	145	1 1/2"	1 1/2"	1 1/2"	1 1/2"
2"	50	52	43	82	145	2"	2"	2"	2"
2 1/2"	65	67	46	90	157	2 1/2"	2 1/2"	2 1/2"	2 1/2"
3"	80	80	46	99	165	3"	3"	3"	3"
4"	100	102	52	112	183	4"	4"	4"	4"
5"	125	126	56	132	196	5"	5"	5"	5"
6"	150	150	56	146	214	6"	6"	6"	6"



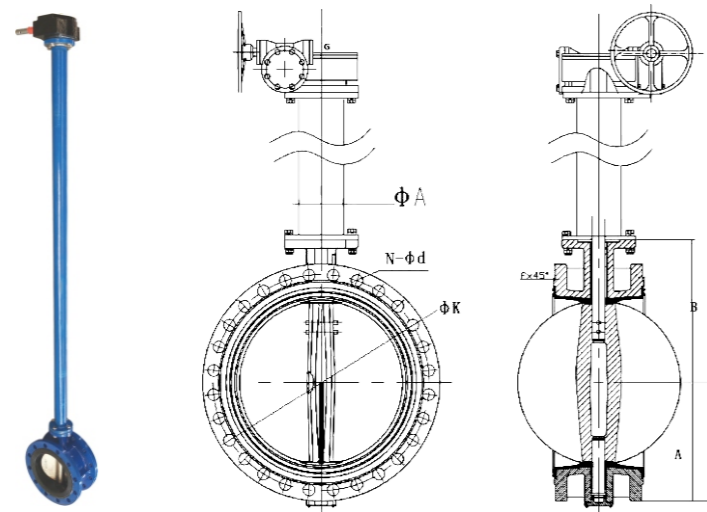
主要外形及连接尺寸 Main external and connecting dimensions(mm)

Size		d	L	H1	H2	H3	L1	L2	L3	S	D1
inch	mm										
1 1/2"	40	42	33	70	145	168					
2"	50	52	43	82	145	168					
2 1/2"	65	67	46	90	157	180	35	35	56	132	100
3"	80	80	46	99	165	188					
4"	100	102	52	112	183	206	41	39	68		
5"	125	126	56	132	196	220					
6"	150	150	56	146	214	238	58	48	89	149	140
8"	200	199	60	188	241	272					
10"	250	248	68	220	320	367	67	61	97	178	200
12"	300	297	78	255	355	402		63			



ΦJPLS valves

加长杆软密封蝶阀 Extended stem soft seal butterfly valve



主要零件及材料 Material of main parts

NO.	零件名称 Part name	材料 Material
1	阀体 Body	灰铁 Cast Iron, 球墨铸铁 Ductile Iron 碳钢 WCB, 不锈钢 Stainless Steel, 铜 Bronze
2	衬套 Bushing	PTFE
3	阀座 Seat	EPDM, NBR
4	阀杆 Stem	SS416, SS304, SS316
5	蝶板 Disc	Ductile Iron, WCB, 304, 316, C95800, 2501
6	销子 Pin	416, 304, 316
7	衬套 Bushing	PTFE
8	O型圈 O-ring	NBR

设计标准 Valve design

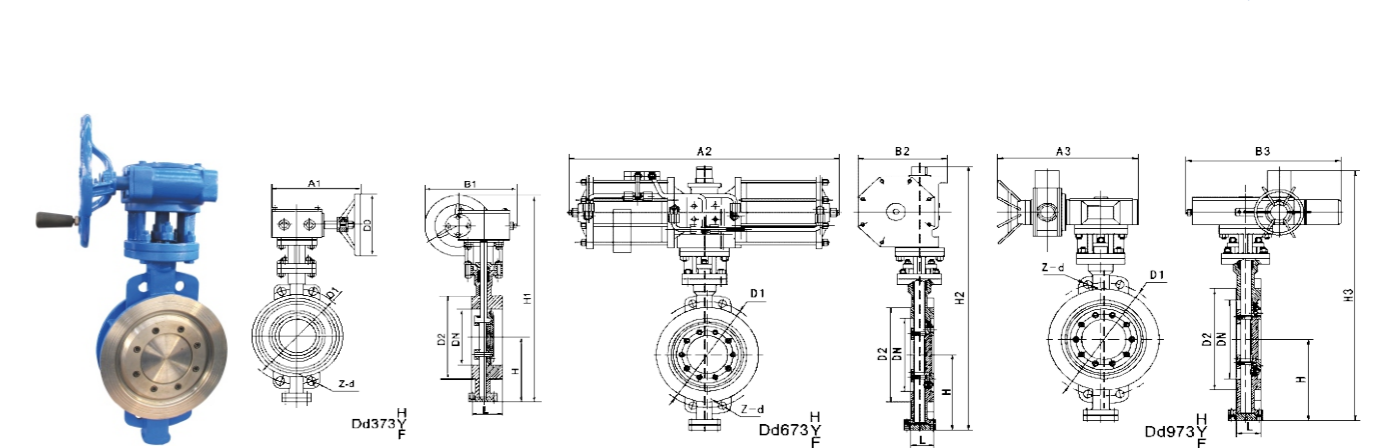
技术规范 Technical specification	
设计标准 Valve design	GB/T12238, BS 5155, API 609, MSS SP-67
结构长度 Face to Face	GB/T12221, BS EN558-1, API 609, MSS SP-67, DIN 3202
试验标准 Pressure test	GB/T13927, BS 6755/EN12266, API 598
连接法兰 Flange Drilling	GB/T17241.6, BS4504 PN10/PN16, ANSI B16.1 Class125 DIN2501 PN10/PN16
上法兰 Top Flange	可定制为5211标准 It can be customized to 5211 standard

主要外形及连接尺寸 Main external and connecting dimensions(mm)

Size	mm	in	A	B	C	L	ANSI 150B		PN 10		PN 16		JIS 10K		Top Flange		
							ΦK	N-Φd	ΦK	N-Φd	ΦK	N-Φd	ΦK	N-Φd	ΦD	ΦD1	N-ΦG
65	2 1/2"	72	136	32	112	139.7	4-Φ19	145	4-Φ18	145	4-Φ18	140	4-Φ19	77	57	4-Φ7	
80	3"	88	146	32	114	152.4	4-Φ19	160	8-Φ18	160	8-Φ18	150	8-Φ19	65	50	4-Φ7	
100	4"	96.5	158	32	127	190.5	4-Φ19	180	8-Φ18	180	8-Φ18	175	8-Φ19	90	70	4-Φ10	
125	5"	115	179	32	140	215.9	8-Φ19	210	8-Φ18	210	8-Φ18	210	8-Φ23	90	70	4-Φ10	
150	6"	126	197	32	140	241.3	8-Φ22.4	240	8-Φ22	240	8-Φ22	240	8-Φ23	90	70	4-Φ10	
200	8"	161	230	45	152	298.4	8-Φ22.4	295	8-Φ22	295	12-Φ22	290	12-Φ23	115	89	4-Φ14	
250	10"	199	271	45	165	361.9	12-Φ25.4	350	12-Φ22	355	12-Φ26	355	12-Φ25	115	89	4-Φ14	
300	12"	215	305	45	178	431.8	12-Φ25.4	400	12-Φ22	410	12-Φ26	400	16-Φ25	140	108	4-Φ14	
350	14"	261	350	45	190	476.2	12-Φ28.4	460	16-Φ22	470	16-Φ26	445	16-Φ25	140	108	4-Φ14	
400	16"	290	381	51	216	539.7	16-Φ28.4	515	16-Φ26	525	16-Φ30	510	16-Φ27	197	159	4-Φ21	
450	18"	307	392	51	222	577.8	16-Φ31.8	565	20-Φ26	585	20-Φ30	565	20-Φ27	197	159	4-Φ21	
500	20"	340	441	57	229	635	20-Φ31.8	620	20-Φ26	650	20-Φ33	620	20-Φ27	197	159	4-Φ21	
600	24"	396	500	70	267	749.3	20-Φ35.1	725	20-Φ30	770	20-Φ36	730	24-Φ33	276	216	4-Φ22	
700	28"	496	567	66	292	863.6	28-Φ35.1	840	24-Φ30	840	24-Φ36	840	24-Φ33	300	254	8-Φ18	
800	32"	543	641	66	318	977.9	28-Φ41.1	950	24-Φ33	950	24-Φ39	950	28-Φ33	300	254	8-Φ18	
900	36"	584	692	118	330	1085.8	32-Φ41.1	1050	28-Φ33	1050	28-Φ33	1050	28-Φ33	300	254	8-Φ18	
1000	40"	638	735	142	410	1200.2	38-Φ41.1	1160	28-Φ36	1170	28-Φ42	1270	28-Φ39	300	254	8-Φ18	
1200	48"	763	917	150	470	1422.4	44-Φ41.1	1380	32-Φ39	1390	32-Φ48	1380	32-Φ39	350	298	8-Φ22	
1400	56"	919	1040	160	530	-	-	1590	36-Φ44	1590	36-Φ50	-	-	415	356	8-Φ32	
1500	60"	965	1050	165	570	-	-	1700	36-Φ44	1710	36-Φ57	-	-	415	356	8-Φ32	

ΦJPLS valves

三偏心金属硬密封对夹蝶阀 Three eccentric metal seals wafe butterfly valve



主要零件及材料 Material of main parts

零件名称 Part name	材料 Material
阀体 Body Materials	碳钢WCB, 不锈钢Stainless Steel 铬钼钢Cr-Mo steel, 合金钢Alloy steel
密封圈 Sealing ring	不锈钢+柔性石墨Stainless Steel+Flexible graphite 聚四氟乙烯PTFE
蝶板 Disc Materials	碳钢WCB, 不锈钢Stainless Steel 铬钼钢Cr-Mo steel, 合金钢Alloy steel
阀杆 Stem Materials	2Cr13, 不锈钢Stainless Steel
填料 Packing	柔性石墨Flexible graphite, 聚四氟乙烯PTFE
驱动方式 Operate	蜗轮 Worm gear, 气动 Pneumatic, 电动 Electric-Motorized

设计标准 Valve design

技术规范 Technical specification	
设计标准 Valve design	API 609, JIS B2064, JB/T 18527
结构长度 Face to Face	ANSI B16.10-92, JIS B2002-87, GB/T 12221-89
试验标准 Pressure test	API 598, FIS B2003-87, GB/T 13927-92
连接法兰 Flange Drilling	ANSI B165a MSS-SP-44, JIS B2212-2216, GB/T 9113.1

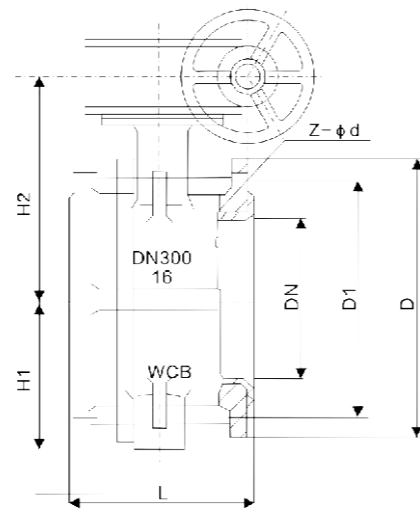
主要外形及连接尺寸 Main external and connecting dimensions(mm)

mm	Inch	L	H	D373H D373Y			D673H		D973H			0.6MPa		1.0MPa		1.6MPa		2.5MPa		
				H1	A1	B1	H2	A2	B2	H3	A3	B3	D1	Z-d	D1	Z-d	D1	Z-d	D1	Z-d
				50	2"	43	112	350	180	200	625	245	72	530	250	255	110	4-14	125	4-18
65	2 1/2"	46	115	370	180	200	625	245	72	530	250	255	130	4-14	145	4-18	145	4-18	145	8-18
80	3"	49	120	380	180	200	645	245	72	565	250	255	150	4-18	160	8-18	160	8-18	160	8-18
100	4"	56	138	420	180	200	675	355	92	600	250	255	170	4-18	180	8-18	180	8-18	190	8-22
125	5"	64	164	460	180	200	715	355	92	640	250	255	200	8-18	210	8-18	210	8-18	220	8-26
150	6"	70	175	555	270	280	800	355	92	705	300	315	225	8-18	240	8-22	240	8-22	250	8-26
200	8"	71	208	605	270	280	850	250	170	775	300	315	280	8-18	295	8-22	295	12-22	310	12-28
250	10"	76	243	680	270	280	925	250	170	945	300	315	335	12-18	350	12-22	355	12-26	370	12-30
300	12"	83	283	800	380	420	1035	450	200	1070	300	315	395	12-22	400	12-22	410	12-26	430	16-30
350	14"	92	310	835	380	420	1070	450	220	1140	300	315	445	12-22	560	16-22	470	16-26	490	16-33
400	16"	102	340	915	450	470	1190	450	220	1210	300	315	495	16-22	515	16-26	525	16-30	550	16-36
450	18"	114	380	960	480	490	1250	650	280	1335	575	714	550	16-22	565	20-26	585	20-30	600	20-36
500	20"	127	410	1020	480	490	1290	650	280	1415	575	714	600	20-22	620	20-26	650	20-33	660	20-36
600	24"	154	470	1225	480	490	1455	850	380	1605	656	810	705	20-26	725	20-30	770	20-36	770	20-39
700	28"	165	550	1355	640	660	1585	850	380	1844	656	810	810	24-26	840	24-30	840	24-36	875	24-42
800	32"	190	640	1470	640	660	1700	1250	380	2040	656	810	920	24-30	950	24-33	950	24-39	990	24-48
900	36"	203	710	1545	750	860	1965	1250	380	2255	785	863	1020	24-30	1050	28-33	1050	28-39	1090	28-48
1000	40"	216	770	1795	850	900	2015	1250	380	2380	785	863	1120	28-30	1160	28-36	1170	28-42	1210	28-56
1200	48"	254	890	1965	850	900	2250	1250	380	2640	785	863	1340	32-33	1380	32-39	1390	32-48	1420	32-56



JPLS valves

双法兰衬氟蝶阀 Fluorine lined double flange butterfly valve



主要零件及材料 Material of main parts

Table with 2 columns: 零件名称 Part name, 材料 Material. Lists components like valve body, seat, plate, liner, and handle with their respective materials.

衬氟蝶阀标准 PTFE-Lined Butterfly Valve Standard

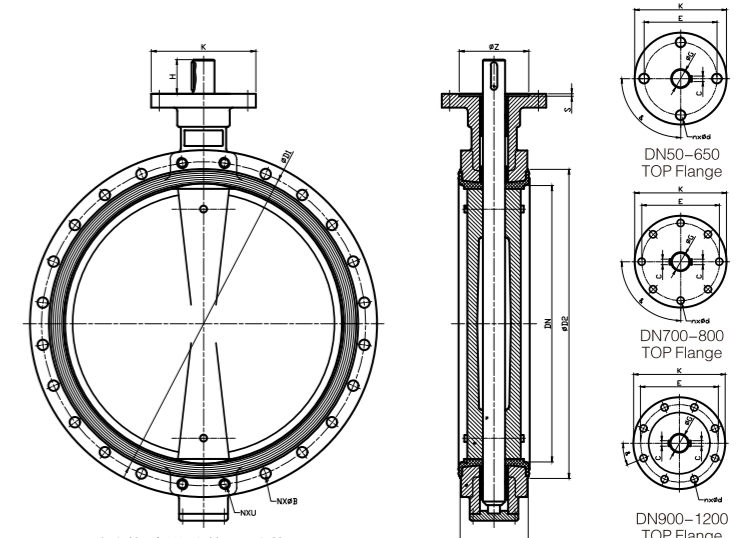
Table with 2 columns: 技术规范 Technical specification, 设计标准 Design standard, 结构长度 Structure length, 法兰标准 Flange standard, 检验试验 Inspection and test, 驱动方式 Drive mode.

主要外形及连接尺寸 Main external and connecting dimensions(mm)

Large table with columns for Nominal diameter DN, Shape size (L, H2, H1), and Connection dimension (1.0MPa, 1.6MPa) including D, D1, Z-φd.

JPLS valves

U型法兰蝶阀 U type flange butterfly valve



总孔数=螺纹孔数+通孔数 Total number of holes = number of threaded holes + number of through holes

主要零件及材料 Material of main parts

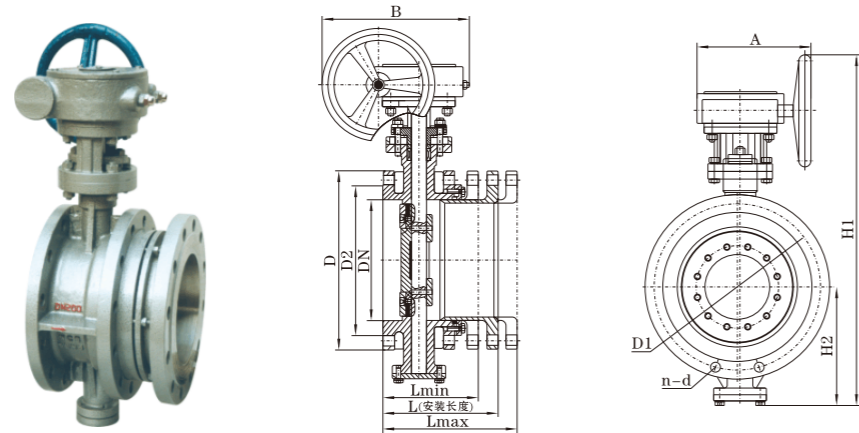
Table with 2 columns: 零件名称 Part name, 材料 Material. Lists components like body, plate, seat, stem, and packing with their materials.

衬氟蝶阀标准 PTFE-Lined Butterfly Valve Standard

Table with 2 columns: 技术规范 Technical specification, 设计标准 Design standard, 结构长度 Structure length, 法兰标准 Flange standard, 检验试验 Inspection and test, 驱动方式 Drive mode.

主要外形及连接尺寸 Main external and connecting dimensions(mm)

Large table with columns for DN, NPS, ΦD, ΦD1, ΦD2, N x ΦB, L, H, K, E, ΦG, C, n x Φd, and &.



主要零件及材料 Material of main parts

零件名称 Part name	材料 Material
阀体 Body	铸铁、碳钢、不锈钢、合金钢 Cast iron, carbon steel, stainless steel, alloy steel
蝶板 Plate	碳钢、合金钢、不锈钢、铬钼钢 Carbon steel, alloy steel, stainless steel, chromium molybdenum steel
密封圈	橡胶、聚四氟、聚内脂、不锈钢 Rubber, teflon, polyester, stainless steel
阀杆 Stem	2Cr13、不锈钢、铬钼钢 2Cr13, stainless steel, chromium molybdenum steel
伸缩管	铸铁、碳钢、不锈钢、铬钼钢 Cast iron, carbon steel, stainless steel, chromium molybdenum steel

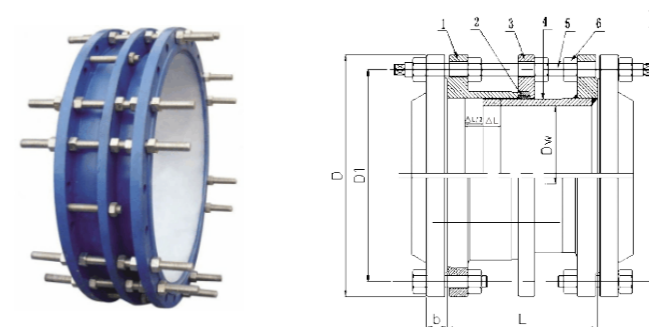
衬氟蝶阀标准 PTFE-Lined Butterfly Valve Standard

技术规范 Technical specification	
设计标准 Design standard	GB/T 12238
结构长度 Structure length	GB12221
法兰标准 Flange standard	GB9113.1-26 GB4216
压力试验 Inspection and test	GB/T13927 JB/T9092

主要外形及连接尺寸 Main external and connecting dimensions(mm)

DN	外形尺寸 Shape size								连接尺寸 Connection dimension												
	mm	Inch	最大长度 Lmax	最小长度 Lmin	安装长度 L	H1	H2	A	B	0.6MPa				1.0MPa				1.6MPa			
										D	D1	D2	n-d	D	D1	D2	n-d	D	D1	D2	n-d
50	2	210	170	190	309	80	180	200	140	110	88	4-14	165	125	99	4-18	165	125	99	4-18	
65	2 1/2	210	170	190	337	95	180	200	160	130	108	4-14	185	145	118	4-18	185	145	118	4-18	
80	3	210	170	190	347	98	180	200	190	150	124	4-18	200	160	132	8-18	200	160	132	8-18	
100	4	240	200	220	373	114	180	200	210	170	144	4-18	220	180	156	8-18	220	180	156	8-18	
125	5	240	200	220	405	128	180	200	240	200	174	8-18	250	210	184	8-18	250	210	184	8-18	
150	6	240	200	220	440	139	270	280	265	225	199	8-18	285	240	211	8-22	285	240	211	8-22	
200	8	280	230	255	612	174	400	425	320	280	254	8-18	340	295	266	8-22	340	295	266	12-22	
250	10	280	230	255	693	215	400	425	375	335	309	12-18	395	350	319	12-22	405	355	319	12-26	
300	12	310	260	285	747	245	450	560	440	395	363	12-22	445	400	370	12-22	460	410	370	12-26	
350	14	310	260	285	802	270	450	560	490	445	413	12-22	505	460	429	16-22	520	470	429	16-26	
400	16	360	300	330	991	305	535	580	540	495	463	16-22	565	515	480	16-26	580	525	480	16-30	
450	18	360	300	330	1037	325	535	580	595	550	518	16-22	615	565	530	20-26	640	585	548	20-30	
500	20	360	300	330	1127	360	535	580	645	600	568	20-22	670	620	582	20-26	715	650	609	20-33	
600	24	420	350	385	1377	445	570	660	755	705	667	20-26	780	725	682	20-30	840	770	720	20-36	
700	28	420	350	385	1496	505	570	660	860	810	772	24-26	895	840	794	24-30	910	840	794	24-36	
800	32	470	400	435	1584	560	570	660	975	920	878	24-30	1015	950	901	24-33	1025	950	901	24-39	
900	36	470	400	435	1676	630	750	550	1075	1020	978	24-30	1115	1050	1001	28-33	1125	1050	1001	28-39	
1000	40	580	500	540	1760	680	900	750	1175	1120	1078	28-30	1230	1160	1112	28-36	1255	1170	1112	28-42	
1200	48	630	550	590	2018	795	1000	925	1405	1340	1295	32-33	1455	1380	1328	32-39	1485	1390	1328	32-48	
1400	56	730	650	690	2363	900	1000	925	1630	1560	1510	36-36	1675	1590	1530	36-42	1685	1590	1530	36-48	
1600	64	800	700	750	2723	1100	1000	925	1830	1760	1710	40-36	1915	1820	1750	40-48	1930	1820	1750	40-56	
1800	72	850	750	800	2844	1124	1100	980	2045	1970	1718	44-39	2115	2020	1950	44-48	2130	2020	1950	44-56	
2000	80	950	850	900	3127	1292	1100	980	2265	2180	2125	48-42	2325	2230	2150	48-48	2345	2230	2150	48-60	

VSSJAF型双法兰传力接头 Double flanged joint force



1. 阀体 Valve body
2. 密封圈 Sealing ring
3. 压盖 The gland
4. 短管法兰 Pipe flange
5. 螺栓 Bolt
6. 螺母 Nut

主要零件及材料 Material of main parts

零件名称 Part name	材料 Material
伸缩座 Flexible seat	铸铁、铸钢、不锈钢、碳钢焊接件 Cast iron, cast steel, stainless steel, carbon steel weld parts
伸缩管 Flexible tube	铸铁、铸钢、不锈钢、碳钢焊接件 Cast iron, cast steel, stainless steel, carbon steel weld parts
密封圈 Seal	丁腈橡胶、氯丁橡胶、乙丙橡胶、硅橡胶、氟橡胶 Styrene rubber, neoprene, ethane prople rubber, silicon rubber, fluorine rubber

衬氟蝶阀标准 PTFE-Lined Butterfly Valve Standard

技术规范 Technical specification	
设计标准 Design standard	GB/T 12238
结构长度 Structure length	GB12221
法兰标准 Flange standard	GB/T17241.6 ISO7005-2 /BSEN1092
压力试验 Inspection and test	GB/T13927 ISO 5028/ BS 6755-1

主要外形及连接尺寸 Main external and connecting dimensions(mm)

公称直径 Nominal diameter DN(mm)	管子外径 Pipe diameter Dw	外形尺寸		法兰连接尺寸 Flange connection size							
		L	ΔL	0.6MPa				1.0MPa			
				D	D1	n-φd	b	D	D1	n-φd	b
100	114	200	40	210	170	4-18	18	220	180	8-18	24
125	140			240	200	8-18	20	250	210	8-18	26
150	168			265	225	8-18	20	285	240	8-23	26
200	219	220	50	320	280	8-18	22	340	295	8-23	28
250	273			375	335	12-18	24	395	350	12-23	28
300	325			440	395	12-23	24	445	400	12-23	28
350	377			490	445	12-23	26	505	460	16-23	30
400	426			540	495	16-23	28	565	515	16-26	30
450	480	240	60	595	550	16-23	28	615	565	20-26	32
500	530			645	600	20-23	30	670	620	20-26	34
600	630			755	705	20-26	30	780	725	20-30	36
700	720			860	810	24-26	32	895	840	24-30	40
800	820			975	920	24-30	32	1015	950	24-34	44
900	920			1075	1020	24-30	34	1115	1050	28-34	46
1000	1020			1175	1120	28-30	36	1230	1160	28-36	50
1200	1220	370	80	1405	1340	32-34	40	1455	1380	32-39	56
1400	1420			1630	1560	36-36	44	1675	1590	36-42	62
1600	1620			1830	1760	40-36	48	1915	1820	40-48	68
1800	1820			2045	1970	44-41	50	2115	2020	44-48	70
2000	2020			2265	2180	48-42	54	2325	2230	48-48	74
2200	2220	400	100	2475	2390	52-48	60	2550	2440	52-56	80
2400	2420			2685	2600	56-48	62	2760	2650	56-56	82
2600	2620			2905	2810	60-48	64	2960	2850	60-56	88
2800	2820			3115	3020	64-49	68	3180	3070	64-56	94
3000	3020			3315	3220	68-49	70	3405	3290	68-60	100
3200	3220			3525	3430	72-49	76	3605	3490	72-56	-
3400	3420	490	100	3735	3640	76-49	80	3805	3690	76-56	-
3600	3620			3970	3860	80-56	82	4005	3890	80-56	-

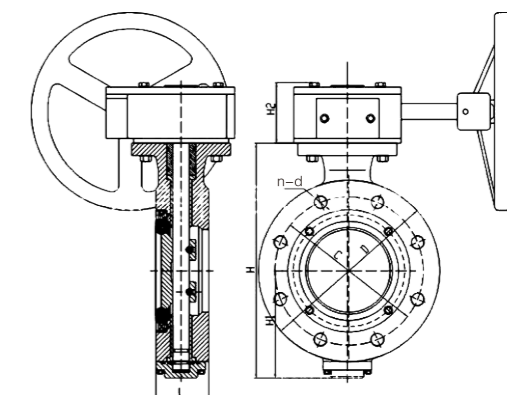


ΦJPLS valves

天津普洛斯阀门有限公司
TIANJIN PULOS VALVE CO., LTD.

ΦJPLS valves

船用短法兰蝶阀 Marine short flange butterfly valve



主要零件及材料 Material of main parts

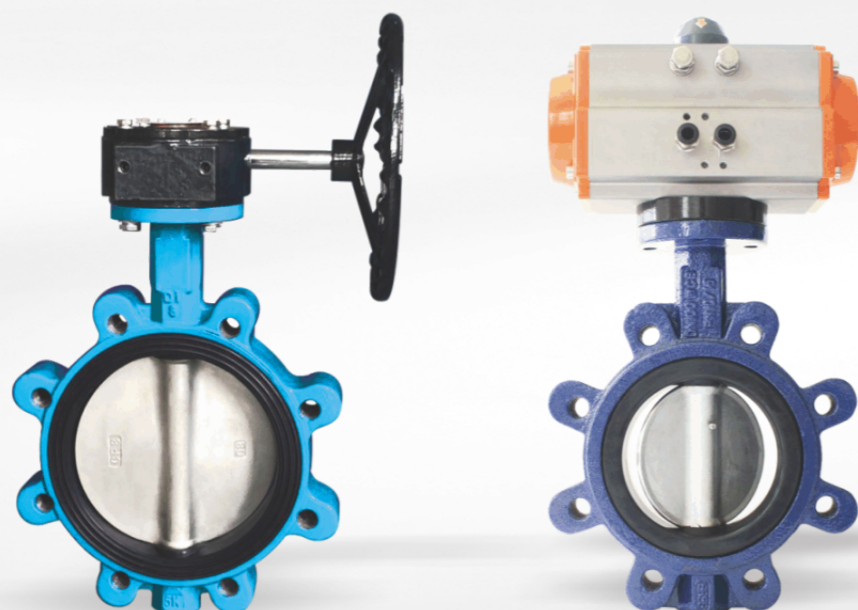
零件名称 Part name	材料 Material
阀体 Body Materials	球铁 Ductile iron, 铸钢 Cast steel, 不锈钢 Stainless Steel, 双向钢 Two-way steel, 青铜 C954 Bronze C954
阀板 Plate Materials	SUS 304, SUS 316, SUS 2205, SUS 2507, SUS 1.4529 C954
阀轴 Shaft Materials	45# 416 SS304 SS316
阀座 Seat Materials	NBR, EPDM, VITON, PTFE
驱动方式 Operate	手柄 Manual, 蜗轮 Worm gear, 气动 Pneumatic, 电动 Electric-Motorized

设计标准 Valve design

技术规范 Technical specification	
设计标准 Valve design	API 609
结构长度 Face to Face	JIS B2002
压力试验 Pressure test	JIS B2003
连接法兰 Flange Drilling	JIS B2212 JIS B2213 JIS B2214

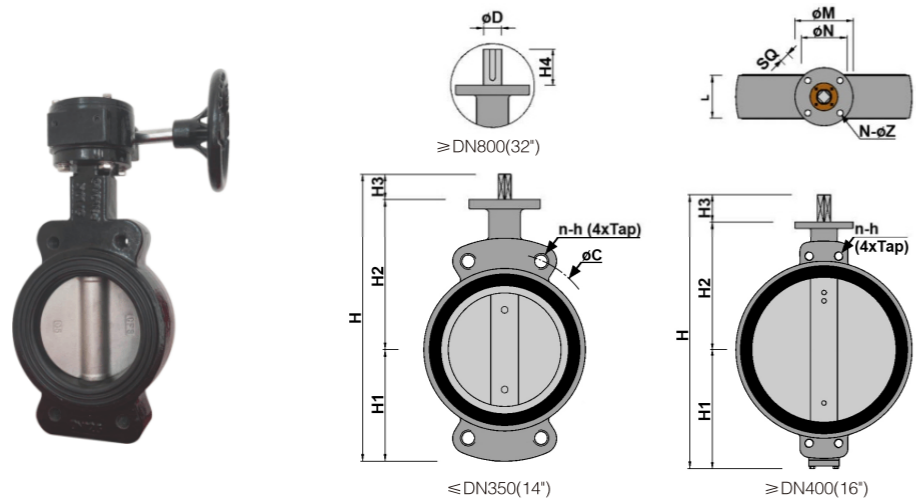
主要外形及连接尺寸 Main external and connecting dimensions(mm)

公称压力 Nominal pressure (MPa)	公称直径 Nominal diameter (mm)	结构及法兰尺寸 Structure & Flange Dimension									螺孔 Hole of Nut					
		ISO (GB2501-89)			JIS			ISO (GB569-65)			ISO		JIS		GB	
		L	D	D1	L	D	D1	L	D	D1	n-d	n-Th.	n-d	n-Th.	n-d	n-Th.
1.0	50	43	165	125	43	155	120	43	135	103	4-18	4-M16	4-19	4-M16	6-16	6-M14
	65	45	185	145	45	175	140	45	155	123	4-18	4-M16	4-19	4-M16	6-16	6-M14
	80	60	200	160	60	185	150	60	170	138	8-18	4-M16	8-19	8-M16	8-16	8-M14
	100	60	220	180	60	210	175	60	190	158	8-18	4-M16	8-23	8-M20	8-16	8-M14
	125	100	250	210	100	250	210	100	215	183	8-18	4-M16	8-23	8-M16	10-16	10-M14
	150	100	285	240	100	280	240	100	240	208	8-22	4-M20	8-23	8-M20	12-16	12-M14
	200	100	340	295	100	330	290	100	310	273	8-22	4-M20	12-23	12-M20	12-19	12-M16
	250	110	395	350	110	400	355	110	380	336	12-22	4-M20	12-25	12-M22	14-23	14-M20
	300	110	445	400	110	445	400	110	435	391	12-22	4-M20	16-25	16-M22	16-23	16-M20
	350	120	505	460	120	490	445	120	485	441	16-22	4-M20	16-25	16-M22	18-23	18-M20
	400	130	565	515	130	560	510	130	545	496	16-26	4-M24	16-27	16-M24	18-27	18-M24
	450	150	615	565	150	620	565	150	600	551	20-28	4-M24	20-27	20-M24	20-27	20-M24
	500	160	670	620	160	675	620	160	650	601	20-28	4-M24	20-27	20-M24	20-27	20-M24
	600	170	730	675	170	745	680	170			20-31	4-M27	24-33	24-M30		





船用半凸耳蝶阀 Marine semi-lug butterfly valve



主要零件及材料 Material of main parts

零件名称 Part name	材料 Material
阀体 Body Materials	球铁 Ductile iron, 铸钢 Cast steel, 不锈钢 Stainless Steel, 双向钢 Two-way steel, 青铜 C954 Bronze C954
阀板 Plate Materials	SUS 304, SUS 316, SUS 2205, SUS 2507, SUS 1.4529 C954
阀轴 Shaft Materials	45# 416 SS304 SS316
阀座 Seat Materials	NBR, EPDM, VITON, PTFE

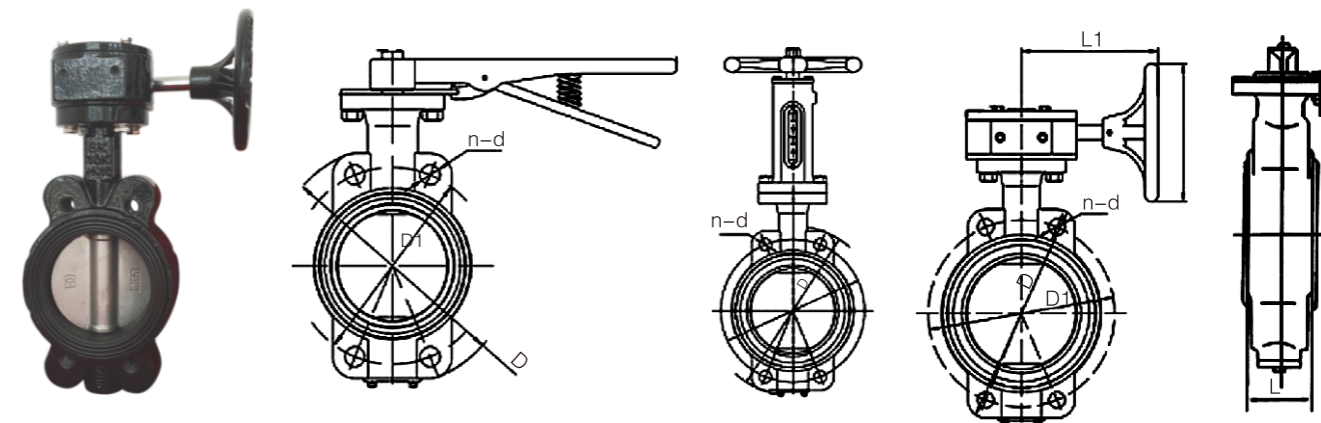
设计标准 Valve design

技术规范 Technical specification	
设计标准 Valve design	API 609-83
结构长度 Face to Face	JIS B2002
压力试验 Pressure test	JIS B2003
连接法兰 Flange Drilling	JIS B2212 JIS B2213 JIS B2214

主要外形及连接尺寸 Main external and connecting dimensions DN 50-1200, DIN PN10, PN16, ANSI 150 (mm)

DN	L	H	H1	H2	H4	Stem				Top Flange				kg	DIN PN10			DIN PN16			ANSI 150		
						Round		Square		ISO 5211	N	M	n × o		C	n-h	C	n-h	C	n-h	C	n-h	
						D	Key	SQ	H3														
50	43	216	55	128	33	14	5×5	9	33	F07	70	90	4×9	10	125	4×M16	125	4×M16	120.5	4×5/8"			
65	46	239	66	140	33	14	5×5	9	33	F07	70	90	4×9	11	145	4/8×M16	145	4/8×M16	139.5	4×5/8"			
80	46	258	75	150	33	14	5×5	9	33	F07	70	90	4×9	11	160	8×M16	160	8×M16	152.5	4×5/8"			
100	52	293	95	165	33	19	6×6	12	33	F07	70	90	4×9	12	180	8×M16	180	8×M16	190.5	8×5/8"			
125	56	326	115	178	33	19	6×6	12	33	F07	70	90	4×9	13	210	8×M16	210	8×M16	216.0	8×3/4"			
150	56	353	130	190	33	19	6×6	12	33	F07	70	90	4×9	15	240	8×M20	240	8×M20	241.5	8×3/4"			
200	60	435	155	230	50	22	8×7	17	50	F10	102	125	4×12	19	295	8×M20	295	12×M20	298.5	8×3/4"			
250	68	535	215	270	50	25	8×7	17	50	F10	102	125	4×12	37	350	12×M20	355	12×M24	362.0	12×7/8"			
300	78	611	251	310	50	32	10×8	22	50	F10	102	125	4×12	47	400	12×M20	410	12×M24	432.0	12×7/8"			
350	78	655	270	335	50	32	10×8	27	50	F10	140	175	4×12	67	460	16×M20	470	16×M24	476.0	12×1"			
400	102	755	325	370	60	40	12×8	27	60	F14	140	175	4×18	91	515	16×M24	525	16×M27	539.5	16×1"			
450	114	797	347	390	60	40	12×8	27	60	F14	140	175	4×18	104	565	20×M24	585	20×M27	578.0	16×1 1/8"			
500	127	883	383	420	80	45	14×9	36	80	F16	165	210	4×22	154	620	20×M24	650	20×M30	635.0	20×1 1/8"			
600	154	1028	453	495	80	65	20×12	50	80	F16	165	210	4×22	240	725	20×M27	770	20×M33	749.5	20×1 1/4"			
700	165	1150	515	555	80	65	20×12	50	90	F16	165	210	4×22	305	840	24×M27	840	24×M33	863.5	28×1 1/4"			
800	190	1352	592	640	90	65	20×12	-	-	F25	254	300	8×18	403	950	24×M30	950	24×M36	978.0	28×1 1/2"			
900	203	1488	658	700	130	80	22×14	-	-	F25	254	300	8×18	607	1050	28×M30	1050	28×M36	1086.0	32×1 1/2"			
1000	216	1645	725	770	150	95	25×14	-	-	F30	298	350	8×23	829	1160	28×M33	1170	28×M39	1200.0	36×1 1/2"			

船用V系列蝶阀 Marine V series butterfly valves



主要零件及材料 Material of main parts

零件名称 Part name	材料 Material
阀体 Body Materials	球铁 Ductile iron, 铸钢 Cast steel, 不锈钢 Stainless Steel, 双向钢 Two-way steel, 青铜 C954 Bronze C954
阀板 Plate Materials	SUS 304, SUS 316, SUS 2205, SUS 2507, SUS 1.4529 C954
阀轴 Shaft Materials	45# 416 SS304 SS316
阀座 Seat Materials	NBR, EPDM, VITON, PTFE

设计标准 Valve design

技术规范 Technical specification	
设计标准 Valve design	API 609-83
结构长度 Face to Face	JIS B2002
压力试验 Pressure test	JIS B2003
连接法兰 Flange Drilling	JIS B2212 JIS B2213 JIS B2214

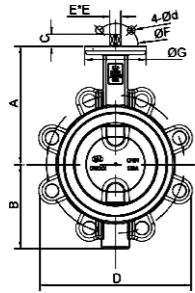
主要外形及连接尺寸 Main external and connecting dimensions (mm)

公称压力 Nominal pressure (MPa)	公称通径 Nominal diameter (mm)	结构及法兰尺寸 Structure & Flange Dimension											螺孔 Hole of Nut							
		ISO (GB2501-89)				JIS				ISO (GB569-65)			ISO		JIS 10K		JIS 5K		GB	
		L	D	D1	尺寸 Size	L	D	D1	D	D1	L	D	D1	n	Th.	n	Th.	n	Th.	n
1.0	50	40	165	125	40	155	120	130	105	43	135	103	4	M16	4	M16	4	M12	6	M14
	65	40	185	145	40	175	140	155	130	46	155	123	4	M16	4	M16	4	M12	6	M14
	80	60	200	160	60	185	150	180	145	46	170	138	8	M16	8	M16	4	M16	8	M14
	100	60	220	180	60	210	175	200	165	52	190	158	8	M16	8	M16	8	M16	8	M14
	125	60	250	210	60	250	210	235	200	56	215	183	8	M16	8	M20	8	M16	10	M14
	150	70	285	240	70	280	240	265	230	56	240	208	8	M20	8	M20	8	M16	12	M14
	200	80	340	295	80	330	290	320	280	60	310	273	8	M20	12	M20	8	M20	12	M16
	250	90	395	350	90	400	355	385	345	68	380	336	12	M20	12	M22	12	M20	14	M20
	300	90	445	400	90	445	400	430	390	78	435	391	12	M20	16	M22	12	M20	16	M20
	350	100	505	460	100	490	445	480	435	78	485	441	16	M20	16	M22	12	M22	18	M20
	400	110	565	515	110	560	510	540	495	102	545	496	16	M24	16	M24	16	M22	18	M24
	450	130	615	565	130	620	565	605	555	114	600	551	20	M24	20	M24	16	M22	20	M24
500	140	670	620	140	675	620	655	605	127	650	601	20	M24	20	M24	20	M22	20	M24	
600	160	780	725	160	795	730	770	715				20	M27	24	M30	20	M24			

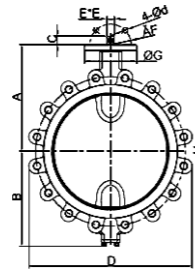
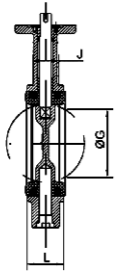


JPLS valves

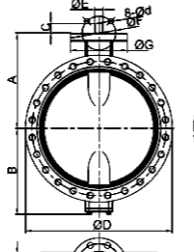
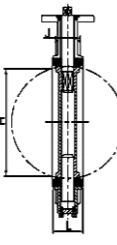
船用LT系列蝶阀 Marine LT series butterfly valve



DN50-DN300



DN350-DN600



DN700-DN2000

主要零件及材料 Material of main parts

零件名称 Part name	材料 Material
阀体 Body Materials	球铁 Ductile iron, 铸钢 Cast steel, 不锈钢 Stainless Steel, 双向钢 Two-way steel, 青铜 C954 Bronze C954
阀板 Plate Materials	球墨铸铁、不锈钢、铝青铜、碳钢、氟橡胶 Ductile iron, Stainless steel, Aluminum bronze, Carbon steel, Fluororubber
阀轴 Shaft Materials	45# 416 SS304 SS316
阀座 Seat Materials	NBR, EPDM, VITON, PTFE

设计标准 Valve design

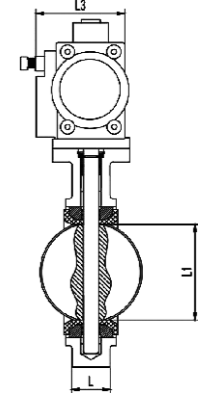
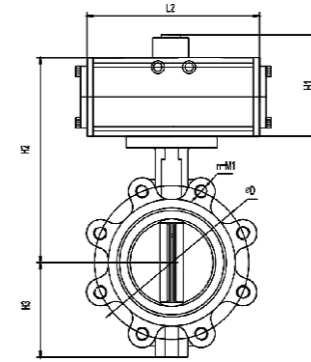
技术规范 Technical specification	
设计标准 Valve design	GB/T12238 ISO 10631
结构长度 Face to Face	GB/T12221 ISO 5752
压力试验 Pressure test	GB/T13927 JB/T9092 ISO5028 BS 5755-1
连接法兰 Flange Drilling	GB/T17241 JIS B2212 JIS B2220 JIS B2210 A NSI B16.5 ANSI B16.47 ISO7005-2

主要外形及连接尺寸 Main external and connecting dimensions(mm)

Size		A	B	C	D	E	F	d	G	H	J	L	WT(kg)
mm	in												
50	2"	126	78	13.5	117	9	50	8	70	31	34	43	2.8
65	2 1/2"	134	84	13.5	131	9	50	8	70	45	36	46	3.7
80	3"	138	92	13.5	176	9	50	8	70	64	36	46	5.1
100	4"	167	114	13.5	206	11	70	10	90	91	40	52	6.9
125	5"	180	129	17.5	236	14	70	10	90	110	44	56	9.3
150	6"	203	144	17.5	258	14	70	10	90	146	44	56	10.5
200	8"	228	179	24.5	321	17	102	12	125	193	50	60	17.4
250	10"	266	216	25	395	22	102	12	125	241	57	68	28.1
300	12"	291	247	25	461	22	102	12	125	292	66	78	40
350	14"	332	273	30	511	27	125	14	150	329	62	78	55
400	16"	363	317	30	580	27	125	14	150	376	84	102	85
450	18"	397	348	39	630	36	140	18	175	425	94	114	114
500	20"	425	393	39	700	36	140	18	175	475	110	127	144
600	24"	498	453	49	823	46	165	22	210	573	120	154	227
700	28"	626	531	90	928	63.1	254	18	300	674	54	165	342
750	30"	660	564	90	984	63.1	254	18	300	727	54	165	400
800	32"	666	601	90	1061	63.1	254	18	300	771	60	190	485
900	36"	722	660	110	1170	74.7	254	18	300	839	60	203	605
1000	40"	806	728	120	1290	83.7	298	22	350	939	60	216	776
1100	44"	826	771	140	1404	94.7	298	22	350	1036	50	255	985
1200	48"	941	874	150	1511	104.7	298	22	350	1137	62	276	1190
1400	56"	1000	940	175	1685	139.9	356	32	415	1351	62	279	1380
1600	64"	1155	1085	195	1930	160	356	32	415	1548	65	318	2054
1800	72"	1200	1170	195	2170	174.5	406	39	475	1703	70	356	3075
2000	80"	1363	1360	245	2345	199	406	39	475	1938	75	406	4500

JPLS valves

船用气动蝶阀 Marine pneumatic butterfly valve



主要零件及材料 Material of main parts

零件名称 Part name	材料 Material
阀体 Body Materials	球铁 Ductile iron, 铸钢 Cast steel, 不锈钢 Stainless Steel, 双向钢 Two-way steel, 青铜 C954 Bronze C954
阀板 Plate Materials	SUS 304, SUS 316, SUS 2205, SUS 2507, SUS 1.4529 C954
阀轴 Shaft Materials	45# 416 SS304 SS316
阀座 Seat Materials	NBR, EPDM, VITON, PTFE

设计标准 Valve design

技术规范 Technical specification	
设计标准 Valve design	GB/T12238
结构长度 Face to Face	GB/T12221 ASME B16.5
压力试验 Pressure test	GB/T13927
连接法兰 Flange Drilling	JB/T 79.1 ASME B16.10

主要外形及连接尺寸 Main external and connecting dimensions(mm)

DN(mm)	φD	4-φD1	H1	H2	H3	L	L1	L2	L3	WT(kg)
40	106.00	22	92	212	71	40	30	147	71.5	3.00
50	123.00	22	108	238	70.0	43	32	168	83	4.10
65	142.00	22	108	251	80.0	46	47	168	83	4.50
80	154.50	23	120	275	94.0	46	65	184	95	5.80
	154.50	23								
100	183.00	27	129	299	108.0	52	91	204	103	7.60
	212.50	25								
150	240.00	24	153	363	134.0	56	146	268	121.5	14.50
200	295.00	24	185	428	167.0	60	194	301	142	21.40
	296.00	25								
250	356.00	31	202	484	203.0	68	242	390	152	33.20
300	407.00	25	227	537	241.0	78	292	458	174	49.60
	432.00	32								
350	460.00	23	260	613	267.0	78	325	525	206	68.50
	470.00	26								
400	515.00	26	285	665	310.0	102	380	532	226	105.60
	525.00	30								
450	565.00	26	319	730	331.0	114	428	602	260	140.60
	585.00	30								
500	620.00	26	356	824	378.5	127	474	718	294	194.00
	650.00	33								
600	725.00	20-φ30	380	942	463.0	154	573	760	336	307.00
	770.00	20-φ36								





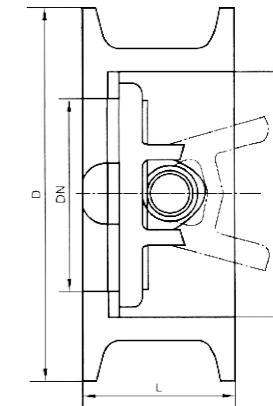
ΦJPLS valves

天津普洛斯阀门有限公司
TIANJIN PULOS VALVE CO., LTD.



ΦJPLS valves

蝶式对夹止回阀 Wafer check valve



主要零件材质 Material Specifications

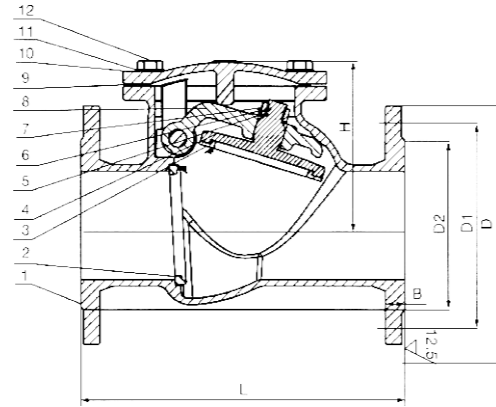
部件 Parts	材料 Material
阀体 Body	灰铸铁CI、球墨铸铁DI
阀瓣 Disc	灰铸铁CI、球墨铸铁DI、304、316、铜bronze
阀座 Seat	橡胶 EPDM/NBR
阀杆 Stem	不锈钢 Stainless steel
弹簧 Spring	不锈钢 Stainless steel

设计标准 Valve design

技术规范 Technical specification	
结构长度 Face to Face	ISO
连接法兰 Flange Drilling	DIN/BS/JIS/ANSI
压力 Pressure	PN10/PN16/10K/150LB

主要外形及连接尺寸 Main external and connecting dimensions(mm)

DN	1.0MPa			1.6MPa			2.5MPa		
	L	D	H	L	D	H	L	D	H
40	43	92	55	43	92	55	43	92	55
50	43	107	65.5	43	107	65.5	43	107	65.5
65	46	127	81	46	127	81	46	127	81
80	64	142	95	64	142	95	64	142	95
100	64	162	117.5	64	162	117.5	64	166	117.5
125	70	192	145.5	70	192	145.5	70	192	145.5
150	76	218	170.5	76	218	170.5	76	222	170.5
200	89	273	227.5	89	273	227.5	89	282	227.5
250	114	328	266	114	329	266	114	337	266
300	114	378	312	114	384	312	114	397	312
350	127	438	361	127	444	361	127	454	361
400	140	489	406	140	495	406	140	511	406
450	152	539	450	152	555	450	152	560	450
500	152	594	505	152	617	505	152	620	505
600	178	695	624	178	734	624	178	727	624
700	229	804	736	229	804	736	229	829	736
800	241	910	842	241	910	842	241	938	842
900	241	1010	945	241	1010	945	241	1038	945
1000	300	1125	1050	300	1125	1050	300	1150	1050



主要零件材质 Material Specifications

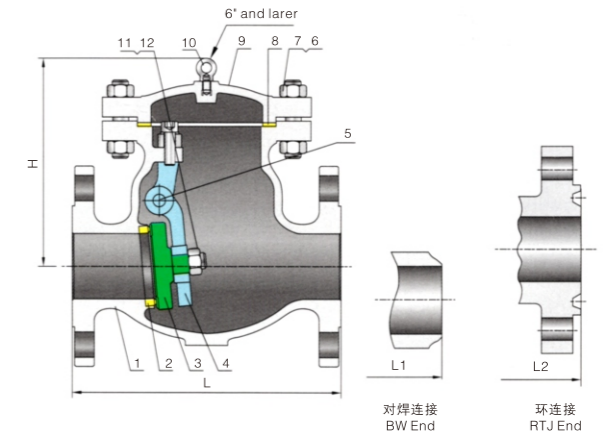
序号 No.	部件 Parts	材料 Material
1	阀体 Body	球墨铸铁 DI、灰铸铁 CI
2	阀座 Valve seat	黄铜/橡胶 Bress(Hpb59-1)/NBR
3	密封圈 Seal ring	黄铜/橡胶 Bress(Hpb59-1)/NBR
4	阀瓣 Disc	球墨铸铁 DI、灰铸铁 CI
8	摇杆 Rocker arm	球墨铸铁 DI
10	阀盖 Bonnet	球墨铸铁 DI、灰铸铁 CI

设计标准 Valve design

技术规范 Technical specification	
设计标准 Valve Design	MSS SP-71
结构长度 Face to Face	SI B16.10
连接法兰 Flange Drilling	ANSI B16.1
压力 Pressure	125LB、150LB

主要外形及连接尺寸 Main external and connecting dimensions(mm)

DN	L	D		D1		B	n-Φd		H
		CL125/CL150	CL125/CL150	CL125/CL150	CL125/CL150				
50	203	152	152	120.5	120.5	17	4-Φ19	4-Φ19	116
65	216	178	178	139.5	139.5	17	4-Φ19	4-Φ19	116
80	241	191	191	152.5	152.5	19	4-Φ19	4-Φ19	145
100	292	229	229	190.5	190.5	24	8-Φ19	8-Φ19	145
125	330	254	254	216	216	24	8-Φ23	8-Φ23	175
150	356								
200	495	343	343	298.5	298.5	28	8-Φ23	8-Φ23	248
250	622								
300	698	483	483	432	432	32	12-Φ26	12-Φ26	325



主要零件材质 Material Specifications

序号 No.	部件 Parts	材料 Material
1	阀体 Body	ASTM A216 Gr.WCB
2	阀座 Seat ring	ASTM A105+13Cr
3	阀瓣 Disc	ASTM A216 Gr.WCB+13Cr
4	摇臂 Hinge	ASTM A216 Gr.WCB
5	销轴 Hinge pin	ASTM A276 410
6	螺栓 Cover bolt	ASTM A193 Gr.B7
7	螺母 Cover nut	ASTM A194 Gr-2H
8	垫片 Gasket	不锈钢与柔性石墨缠绕 304S.S. Jacketed Graphite
9	阀盖 Bonnet	ASTM A216 Gr.WCB

设计标准 Valve design

技术规范 Technical specification	
设计标准 Valve Design	API 600, BS 1868
结构长度 Face to Face	ASME B16.10
法兰尺寸 Flanged connection	≤24" 按ASME B16.5 ≥26" 按ASME B16.47系列A 24" and smaller valves: ASME B 16.5 26" and larger valves: ASME B16.47 series A and B
对焊端尺寸 B.W. End	ASME B16.25
阀体壁厚 Shell Wall Thickness	≤24" 按ASME API 600、BS868 ≥26" 按制作商标准 ≤24" API 600, BS868 ≥26" manufacturer's standard

备注：阀体材质有ASTM A216 WCB、A352 LCB、A217 WC1 WC6、WC9、C5、A351 CF8 CF8M、CF3、CF3M 本表仅以ASTM A216 WCB为例。

结构尺寸 Dimensions(Class 150)

阀门尺寸 Valve Size	in. mm	1/2 40	2 50	2 1/2 65	3 80	4 100	5 125	6 150	8 200	10 250	12 300	14 350	16 400	18 450	20 500	24 600	30 750	36 900
L-L1 突面-对焊 (RF-BW)	in. mm	6.5 165	8 203	8.5 216	9.5 241	11.5 292	13 330	14 356	19.5 495	24.5 622	27.5 698	31 787	34 864	38.5 978	38.5 978	51 1295	60 1524	77 1956
L2 环连接 (RTJ)	in. mm	7.0 178	8.5 216	9 229	10 254	12 305	13.5 343	14.5 369	20 508	25 635	28 711	31.5 800	34.5 877	39 991	39 991	51.5 1308	60.5 1537	77.5 1969
H 开 (Open)	in. mm	6.69 170	6.88 175	7 178	7.5 191	8.63 219	9.25 235	12.75 324	15.13 384	17.63 448	21.25 540	22 559	24.63 626	25.63 651	26.63 676	34.63 880	45.25 1149	53.13 1349



QJPLS valves

美标铸钢/不锈钢旋启式止回阀 ANSI Cast steel / stainless steel swing check valve

结构尺寸 Dimensions(Class 300)

阀门尺寸 Valve Size	in. mm	1 1/2 40	2 50	2 1/2 65	3 80	4 100	5 125	6 150	8 200	10 250	12 300	14 350	16 400	18 450	20 500	24 600	30 750	36 900
L-L1 突面-对焊 (RF-BW)	in. mm	9.5 241	10.5 267	11.5 292	12.5 318	14 356	15.75 400	17.5 444	21 533	24.5 622	28 711	33 838	34 864	38.5 978	40 1016	53 1346	62.75 1594	82 2083
L2 环连接 (RTJ)	in. mm	10 254	11.12 283	12.12 308	13.15 334	14.62 372	16.37 416	18.12 460	21.62 549	25.12 638	28.62 727	33.62 854	34.62 880	39.12 994	40.75 1035	53.88 1368	63.75 1619	83.11 2111
H 开 (Open)	in. mm	7.4 188	7.75 197	8 203	8.75 222	10.88 276	11.63 295	13.25 337	16.25 413	18.25 464	22.13 562	23.5 597	25.38 645	29.88 759	33.63 854	37 940	50 1270	60.63 1540

结构尺寸 Dimensions(Class 600)

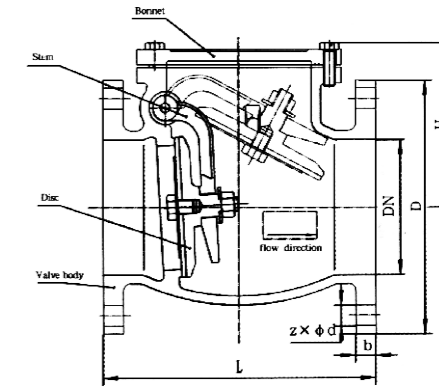
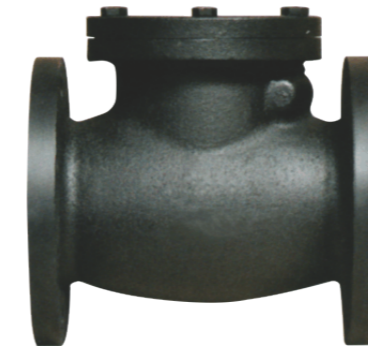
阀门尺寸 Valve Size	in. mm	2 50	2 1/2 65	3 80	4 100	6 150	8 200	10 250	12 300	14 350	16 400	18 450	20 500	24 600	26 650	28 700	30 750
L-L1 突面-对焊 (RF-BW)	in. mm	11.5 292	13 330	14 356	17 432	22 559	26 660	31 787	33 838	35 889	39 991	43 1092	47 1194	55 1397	57 1448	63 1600	65 1651
L2 环连接 (RTJ)	in. mm	11.62 295	13.12 333	14.12 359	17.12 435	22.12 562	26.12 663	31.12 790	33.12 841	35.12 892	39.12 994	43.12 1095	47.25 1200	55.38 1407	57.5 1461	63.5 1613	65.5 1664
H 开 (Open)	in. mm	8.25 210	8.63 219	10.5 267	11.75 299	15 381	18.75 476	21.63 549	22.63 575	26.38 670	30.13 765	35.25 895	38.38 975	43.75 1111	48 1219	53.13 1349	56.25 1429

结构尺寸 Dimensions(Class 900/1500/2500)

MPa	阀门尺寸 Valve Size	in. mm	2 50	2 1/2 65	3 80	4 100	6 150	8 200	10 250	12 300
Class 900	L-L1突面-对焊 (RF-BW)	in. mm	14.5 368	16.5 419	15 381	18 457	24 610	29 737	33 838	38 965
	L2(环连接) (RTJ)	in. mm	14.62 371	16.62 422	15.12 384	18.12 460	24.12 613	29.12 740	33.12 841	38.12 968
	H开(Open)	in. mm	12.63 321	13.75 349	12.63 321	16 406	18.88 479	22.25 565	26.13 664	30.5 775
Class 1500	L-L1突面-对焊 (RF-BW)	in. mm	14.5 368	16.5 419	18.5 470	21.5 546	27.75 705	32.75 832	39 991	44.5 1130
	L2(环连接) (RTJ)	in. mm	14.62 371	16.62 422	18.62 473	21.62 549	28 711	33.15 842	39.4 1001	45.12 1146
	H开(Open)	in. mm	12.63 321	13.75 349	14.38 365	16.5 419	20.13 511	26.75 680	29.75 756	33.75 857
Class 2500	L-L1突面-对焊 (RF-BW)	in. mm	17.75 451	20 508	22.75 578	26.5 673	36 914	40.25 1022	50 1270	56 1422
	L2(环连接) (RTJ)	in. mm	17.87 454	20.25 514	23 584	26.88 683	36.5 927	40.87 1038	50.88 1292	56.88 1444
	H开(Open)	in. mm	16.38 416	16.5 419	17.38 441	18.88 479	20.13 511	28 711	33.5 851	39.38 1000

QJPLS valves

日标铸铁旋启式止回阀10K JIS Cast iron swing check valve 10K



主要零件材质 Material Specifications

部件 Parts	材料 Material
阀体 Body	铸铁 Cast iron
阀瓣 Disc	铸铁+黄铜 Cast iron+Brass/bronze
阀盖 Bonnet	铸铁 Cast iron
阀杆 Stem	不锈钢 Stainless steel 、铜杆

设计标准 Valve design

技术规范 Technical specification	
结构长度 Face to Face	JIS B2002
连接法兰 Flange Drilling	JIS B2212
压力 Pressure	10K

主要外形及连接尺寸 Main external and connecting dimensions(mm)

DN	L	D	b	Z x phi d	H
40	190	140	17	4 x phi 19	101
50	190	155	17	4 x phi 19	102
65	190	175	18	4 x phi 19	113
80	215	185	19	8 x phi 19	118
100	245	210	20	8 x phi 19	133
125	285	250	21	8 x phi 23	155
150	295	280	22	8 x phi 23	182
200	390	330	22	12 x phi 23	206
250	500	400	25	12 x phi 25	269
	540	445	28	16 x phi 25	333
350	570	490	34	16 x phi 25	381
	785	560	36	16 x phi 27	450
500	820	675	40	20 x phi 27	537

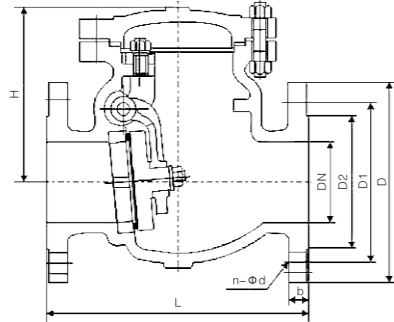
* 以上规格可根据您的具体要求进行调整。

* The above specifications to be varied to suit your specific requirements.



JPLS valves

目标铸钢/不锈钢旋启式止回阀 JIS Cast steel / stainless steel swing check valve



主要零件及材料 Main parts and materials

零件名称 Part name	材料 Material
阀体 Body	JIS-SCS13
阀瓣 Disc	JIS-SCS13
阀杆 Stem	JIS-SUS304
阀盖 Bonnet	JIS-SCS13
支架 Yoke	JIS SCS13
螺栓 Bolt	A193-B8

设计标准 Valve design

技术规范 Technical specification	
设计标准 Valve design	JIS B2074 B2084
结构长度 Face to Face	JIS B2002
连接法兰 Flange Drilling	JIS B2212 B2214
试验标准 Pressure test	JIS B2003

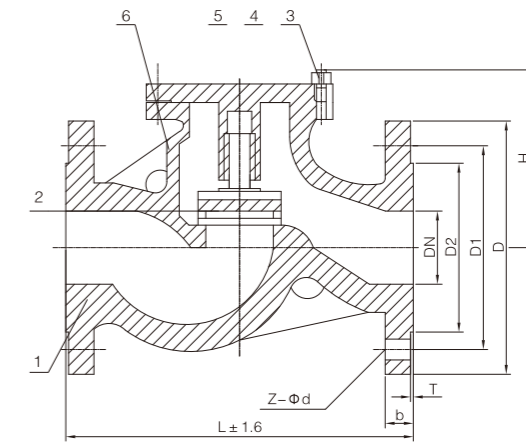
备注：阀体材质有WCB, SCS13, SCS13A, SCS14, SCS14A, SCS19, SCS19A, SCS16, SCS16A, 本表仅以SCS13举例。
Note: Body material WCB, SCS13, SCS13A, SCS14, SCS14A, SCS19, SCS19A, SCS16, SCS16A, this only USES the example of SCS13.

主要外形及连接尺寸 Main external and connecting dimensions(mm)

Pressure	Size	L	D	D1	D2	b	H	n-φd
10K	15	108	95	70	52	12	67	4-15
	20	117	100	75	58	14	71	4-15
	25	127	125	90	70	14	80	4-19
	40	165	140	105	85	16	96	4-19
	50	203	155	120	100	16	108	4-19
	65	216	175	140	120	18	157	4-19
	80	241	185	150	130	18	165	8-19
	100	271	210	175	155	18	218	8-19
	125	330	250	210	185	20	255	8-23
	150	356	280	240	215	22	296	8-23
20K	200	495	330	290	265	22	354	12-23
	250	622	400	355	325	24	410	12-25
	300	398	440	400	370	24	485	16-25
	15	152	95	70	52	14	84	4-15
	20	178	100	75	58	16	85	4-15
	40	241	140	105	85	18	91	4-19
	65	292	175	140	120	20	157	8-19
	100	356	225	185	160	24	218	8-23
	150	444	305	260	230	28	296	12-25
	250	622	430	380	345	34	410	12-27

JPLS valves

升降式止回阀 Lift check valve



主要零件材料 Main parts and materials

序号 No.	零件名称 Part name	材质 Material
1	阀体 Body	CF8 CF8M WCB
2	阀瓣 Disc	CF8 CF8M WCB
3	双头螺柱 Double stud	201
4	六角螺母 Hexagon nut	201
5	垫片 Washer	PTFE
6	阀盖 Bonnet	CF8 CF8M WCB

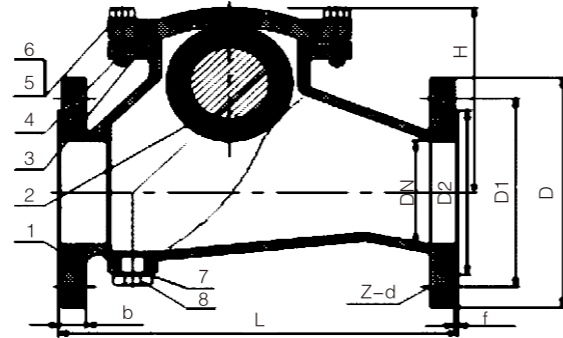
主要外形尺寸 Configuration dimension

Pressure	DN	L	D	D1	H	b	T	Z-φd
H41W-16P(R)	15	130	95	65	45	14	2	4 × 14
	20	150	105	75	55	15	2	4 × 14
	25	160	115	85	65	15	2	4 × 14
	32	180	135	100	78	16	2	4 × 18
	40	200	145	110	85	16	2	4 × 18
	50	230	160	125	100	16	2	4 × 18
	65	290	180	145	120	17	2	4 × 18
	80	310	195	160	135	18	2	8 × 18
	100	350	215	180	155	19	2	8 × 18
	125	400	245	210	185	20	3	8 × 18
150	480	280	240	210	22	3	8 × 22	
200	600	335	295	265	23	3	12 × 23	



ΦJPLS valves

球形止回阀 Ball check valve



主要零件材质 Material Specifications

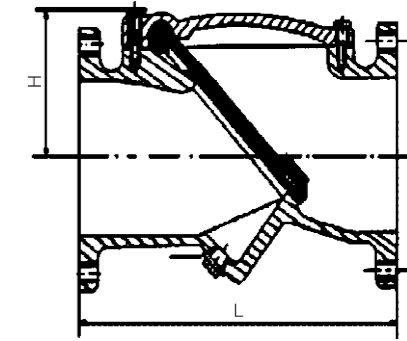
序号 No.	部件 Parts	材料 Material
1	阀体 Body	球墨铸铁 DI
2	浮球 Ball Float	铝包橡胶 EPDM/Aluminium
3	垫片 Gasket	橡胶 NBR
4	阀盖 Bonnet	球墨铸铁 DI
5	螺栓 Bolt	碳钢、不锈钢 Carbon steel/A2
6	垫圈 Washer	碳钢、不锈钢 Carbon steel/A2
7	垫圈 Washer	四氟 TEL
8	堵头 Plug	碳钢、不锈钢 Carbon steel/A2

主要外形及连接尺寸 Main external and connecting dimensions(mm)

DN	D	D1	D2	L	B	H	F	Z x Φd
40	150	110	84	180	19	106	3	4-19
50	165	125	99	200	19	115	3	4-19
65	185	145	118	240	19	124	3	4-19
80	200	160	132	260	19	138	3	8-19
100	220	180	156	300	19	162	3	8-19
125	250	210	184	350	19	202	3	8-19
150	285	240	211	400	19	228	3	8-23
200	340	295	266	500	20	298	3	12-23
250	405	355	319	600	22	368	4	12-28
300	455	410	370	700	24.5	438	4	12-28

ΦJPLS valves

橡胶瓣止回阀 Rubber disc check valve



主要零件材质 Material Specifications

部件 Parts	材料 Material
阀体 Body	灰铸铁CI 球墨铸铁DI
阀瓣 Disc	灰铸铁CI/球墨铸铁DI+橡胶EPDM/NBR
阀盖 Bonnet	灰铸铁CI 球墨铸铁DI
阀杆 Stem	不锈钢 Stainless steel、铜杆 Brass

设计标准 Valve design

技术规范 Technical specification	
结构长度 Face to Face	BS5153/MSS SP-71
连接法兰 Flange Drilling	BS4504/ANSI B16.1/B16.5
压力 Pressure	PN10/PN16 125LB/150LB

主要外形及连接尺寸 Main external and connecting dimensions(mm)

Size	50	65	80	100	125	150	200	250	300	350	400	450	500	600
L	203	216	241	292	330	356	496	622	699	787	912	965	1067	1210
H	86	90	98	117	130	149	194	251	310	360	420	480	520	570
PN16-BS5153														
OD	165	185	200	220	250	285	340	405	480	520	580	640	715	840
PCD	125	145	160	180	210	240	296	355	410	470	525	585	650	770
N-Φd	4-18	4-18	8-18	8-18	8-18	8-22	12-22	12-20	12-20	16-20	16-30	20-30	20-34	20-36
ANSI CLASS 125/CLASS 150														
OD	152	178	191	229	254	279	343	406	483	533	597	635	699	813
PCD	121	139	152	191	216	241	198	362	432	476	540	578	635	749
N-Φd	4-19	4-19	4-19	8-19	8-22	8-22	8-22	12-25	12-25	12-25	16-29	16-32	20-32	20-35



ΦJPLS valves

天津普洛斯阀门有限公司
TIANJIN PULOS VALVE CO., LTD.



ΦJPLS valves

英标软密封闸阀 BS Soft sealing gate valve



英标软密封明杆闸阀 BS5163 Resilient Seat OS & Y Gate Valve



主要零件材料 Main parts and materials

零件名称 Parts Name	材料 Material
阀体、阀盖 Body, Bonnet	球铁 Ductile Iron
阀板 Disc	球铁包胶 Ductile Iron with NBR/EPDM/EPM
阀杆 Stem	不锈钢 Stainless Steel

标准 Standards

设计和制造标准 Design and Manufacture	结构长度标准 Face to Face	法兰标准 Flange End	测试标准 Inspection
BS5163	BS5163	EN1092/ISO 7005-2	BS5163/ISO 5208

测试 Test

公称压力 Nominal pressure	强度试验 Shell Test (MPa)	密封试验 Seal test (MPa)
PN10, PN16	1.5/2.4	1.1/1.76

主要外形及连接尺寸 Main external and connecting dimensions(mm)

DN	50	65	80	100	125	150	200	250	300
L	178	190	203	229	254	276	292	330	356
D	165	185	200	220	250	285	340	405	460
H	258	287	308	349	441	441	553	615	714
H(Full open)	308	352	388	449	566	591	753	865	1014
D1	125	145	160	180	210	240	295	355	410

英标软密封暗杆闸阀 BS5163 Resilient Seat Non-rising Stem Gate Valve



主要零件材料 Main parts and materials

零件名称 Parts Name	材料 Material
阀体、阀盖 Body, Bonnet	球铁 Ductile Iron
阀板 Disc	球铁包胶 Ductile Iron with NBR/EPDM/EPM
阀杆 Stem	不锈钢 Stainless Steel

标准 Standards

设计和制造标准 Design and Manufacture	结构长度标准 Face to Face	法兰标准 Flange End	测试标准 Inspection
BS5163	BS5163	EN1092/ISO 7005-2	BS5163/ISO 5208

测试 Test

公称压力 Nominal pressure	强度试验 Shell Test (MPa)	密封试验 Seal test (MPa)
PN10, PN16	1.5/2.4	1.1/1.76

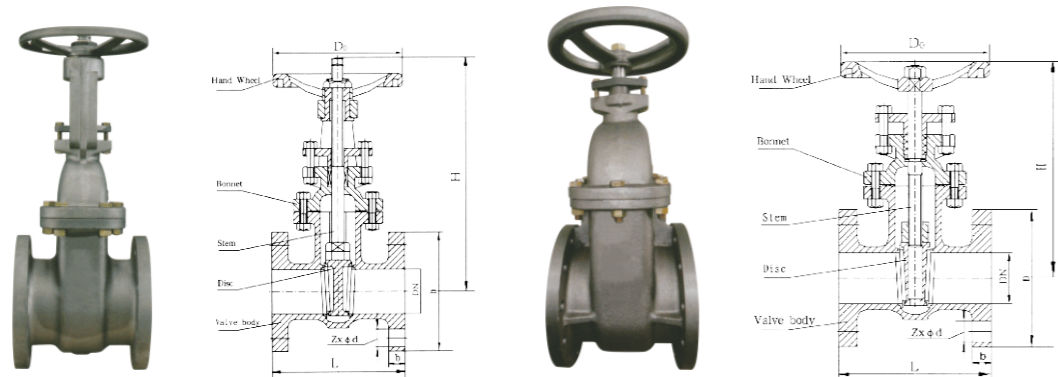
主要外形及连接尺寸 Main external and connecting dimensions(mm)

DN	50	65	80	100	125	150	200	250	300	350	400	450	500	600
L	178	190	203	229	254	267	292	330	356	381	406	432	457	508
H	350	369	409	458	516	570	753	807	940	1002	1100	1210	1380	1455
D	165	185	200	220	250	285	340	405	460	520	580	640	715	840
D1	125	145	160	180	210	240	295	355	410	470	525	585	650	770



QJPLS valves

日标铸铁闸阀 JIS Cast iron gate valve



主要零件及材料 Main parts and materials

零件名称 Part name	材料 Material
阀体 Body Materials	铸铁 Cast iron
阀瓣 Disc	铸铁+黄铜 Cast iron+Brass
阀盖 Bonnet	铸铁 Cast iron
阀杆 Stem	不锈钢 Stainless steel、铜杆

设计标准 Valve design

技术规范 Technical specification	
设计标准 Valve design	KS B2350
结构长度 Face to Face	JIS B2031/KS B2306/JIS B2002
试验标准 Pressure test	KS B2304
连接法兰 Flange Drilling	JIS B2031/KS B1511/JIS B2212

主要外形及连接尺寸 Main external and connecting dimensions(mm)

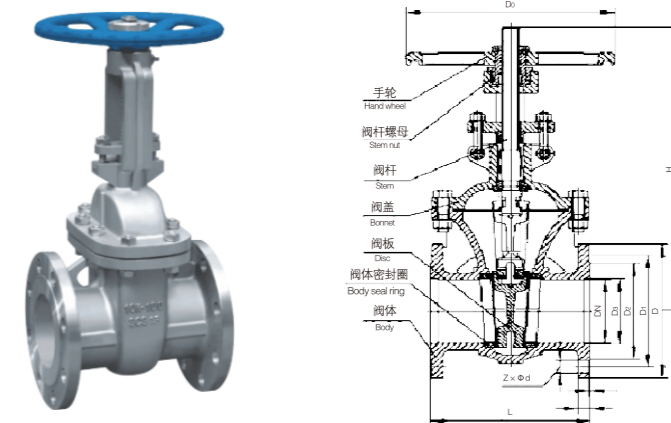
DN	L	D	b	Z x Φd	H	Do
40	180	140	20	4 x Φ19	317	190
50	180	155	20	4 x Φ19	343	190
65	190	175	22	4 x Φ19	390	190
80	200	185	22	8 x Φ19	452	210
100	230	210	24	8 x Φ19	537	240
125	250	250	24	8 x Φ23	621	260
150	270	280	26	8 x Φ23	718	270
200	290	330	26	12 x Φ23	920	300
250	330	400	30	12 x Φ25	1113	350
300	350	445	32	16 x Φ25	1308	390
350	460	490	34	16 x Φ25	1195	400
400	490	560	36	16 x Φ27	1367	500
450	526	620	38	20 x Φ27	1498	500
500	554	675	40	20 x Φ27	1710	500
600	620	795	44	24 x Φ33	2129	500

主要外形及连接尺寸 Main external and connecting dimensions(mm)

DN	L	D	b	Z x Φd	H	Do
40	180	140	20	4 x Φ19	249	190
50	180	155	20	4 x Φ19	262	190
65	190	175	22	4 x Φ19	286	190
80	200	185	22	8 x Φ19	325	210
100	230	210	24	8 x Φ19	382	240
125	250	250	24	8 x Φ23	417	260
150	270	280	26	8 x Φ23	455	270
200	290	330	26	12 x Φ23	559	300
250	330	400	30	12 x Φ25	674	350
300	350	445	32	16 x Φ25	780	390
350	460	490	34	16 x Φ25	925	400
400	490	560	36	16 x Φ27	1087	500
450	526	620	38	20 x Φ27	1170	500
500	554	675	40	20 x Φ27	1365	500
600	620	795	44	24 x Φ33	1585	500

QJPLS valves

日标铸钢/不锈钢闸阀10K JIS Cast steel/stainless steel gate valve 10K



主要零件材质 Material Specifications

序号 No.	部件 Parts	材料 Material
1	阀体 Body	GG GS-C25, CF8, CF8M
2	阀瓣 Disc	GS-C25, CF8, CF8M
3	阀杆 Stem	13Cr, F304, F316
5	螺栓 Bolt	A193-B7, A193-B8
7	阀盖 Bonnet	GG GS-C25, CF8, CF8M
8	填料 Packing	Flexible Graphite
17	手轮 Handwheel	A105, F304, F316

设计标准 Valve design

技术规范 Technical specification	
设计标准 Valve design	JIS B2073 B2083
结构长度 Face to Face	JIS B2002
试验标准 Pressure test	JIS B2003
连接法兰 Flange Drilling	JIS B2212 B2214

备注: 阀体材质有WCB、SCS13、SCS13A、SCS14、SCS14A、SCS19、SCS19A、SCS16、SCS16A, 本表仅以SCS13举例
Body material WCB, SCS13, SCS13A, SCS14, SCS14A, SCS19, SCS19A, SCS16, SCS16A, this only USES the example of SCS13

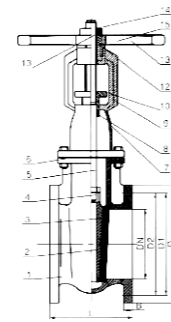
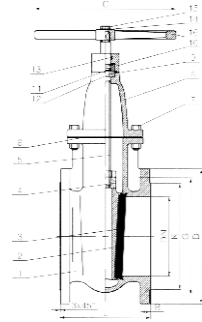
主要外形及连接尺寸 Main external and connecting dimensions(mm)

型号 Type	通径 DN	尺寸 measure (mm)								
		L	D	D1	D2	D3	b-f	Z-Φd	H	Do
10K	50	178	155	120	96	51	16-2	4 x 19	338	224
	65	190	175	140	116	66	18-2	4 x 19	362	224
	80	203	185	150	126	81.5	18-2	8 x 19	415	250
	100	229	210	175	151	102	18-2	8 x 19	447	300
	125	254	250	210	182	127	20-2	8 x 23	555	330
	150	267	280	240	212	152	22-2	8 x 23	618	330
	200	292	330	290	262	203	22-2	12 x 23	781.4	330
250	330	400	355	324	254	24-2	12 x 25	927.4	400	
300	356	455	400	368	304	24-3	16 x 25	1073.4	450	
20K	50	216	155	120	96	51	22-2	8 x 19	338	224
	65	241	175	140	116	66	24-2	8 x 19	362	224
	80	283	200	160	132	81.5	26-2	8 x 23	415	250
	100	305	225	185	156	102	28-2	8 x 23	447	300
	125	381	270	225	195	127	30-2	8 x 25	555	330
	150	403	305	260	230	152	32-2	12 x 25	618	355
	200	419	350	305	275	203	34-2	12 x 25	806	400
	250	457	430	380	345	254	38-2	12 x 27	956	450
	300	502	480	430	395	304	40-3	16 x 27	1081.5	500



QJPLS valves

德标铸铁硬密封闸阀F4 DIN Cast iron hard seal gate valve F4



主要零件及材料 Main parts and materials

NO.	部件 Parts	材料 Material
1	阀体 Body	球墨铸铁 DI
2	阀瓣 Disc	球墨铸铁 DI
3	螺母 Nut	黄铜 Brass
4	密封面环 Sealing face ring	黄铜 Brass
5	阀杆 Stem	不锈钢 2Cr13
6	阀盖垫片 Bonnet gasket	橡胶 NBR
7	螺栓 Bolt	Q235号钢 Q235
8	阀盖 Bonnet	球墨铸铁 DI
9	定位环 Locking ring	黄铜 Brass
10	铜套 Copper bush	黄铜 Brass
11	O型圈 O-ring	橡胶 EPDM
12	垫片 Gasket	橡胶 EPDM
13	防尘圈 Dust ring	橡胶 NBR
14	垫片 Gasket	不锈钢 SS304
15	螺栓 Bolt	不锈钢 SS304
16	手轮 Handwheel	球墨铸铁 DI

NO.	部件 Parts	材料 Material
1	阀体 Body	球墨铸铁/灰铁 DI/CI
2	阀瓣 Disc	球墨铸铁 DI
3	密封圈 Sealing face ring	黄铜 Brass
4	螺母 Nut	黄铜 Brass
5	阀杆 Stem	不锈钢 2Cr13
6	阀盖垫 Bonnet gasket	橡胶 EPDM
7	阀盖 Bonnet	球墨铸铁/灰铁 DI/CI
8	填料 Packing	石墨环 Graphite ring
9	支架 Yoke	球墨铸铁 DI
10	压铁 Weight	球墨铸铁 DI
11	销子 Pin	不锈钢 Stainless steel
12	锁螺母 Locking nut	球墨铸铁 DI
13	手轮 Handwheel	球墨铸铁 DI
14	锁螺母 Locking nut	40号钢 40Cr
15	螺母 Nut	黄铜 Brass

设计标准 Valve design

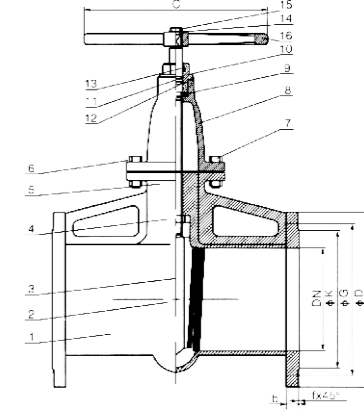
技术规范 Technical specification	
设计标准 Valve design	DIN3352-F4
结构长度 Face to Face	DIN3202、ISO5752
试验标准 Pressure test	DIN3230
连接法兰 Flange Drilling	DIN2501/EN1092

主要外形及连接尺寸 Main external and connecting dimensions(mm)

DN	L	D		D1		D2		B		C	n-Φd	
		PN10	PN16	PN10	PN16	PN10	PN16	DI	GI		PN10	PN16
40	140	150	150	110	110	87	87	19	18	180	4-Φ19	4-Φ19
50	150	165	165	125	125	102	102	19	20	180	4-Φ19	4-Φ19
65	170	185	185	145	145	122	122	19	20	180	4-Φ19	4-Φ19
80	180	200	200	160	160	138	138	19	22	200	4-Φ19	8-Φ19
100	190	220	220	180	180	158	158	19	24	200	8-Φ19	8-Φ19
125	200	250	250	210	210	188	188	19	26	250	8-Φ19	8-Φ19
150	210	285	285	240	240	212	212	19	26	250	8-Φ23	8-Φ23
200	230	340	340	295	295	268	268	20	180	280	8-Φ23	12-Φ23
250	250	395	405	350	355	320	320	22	180	320	12-Φ23	12-Φ27
300	270	445	460	400	410	370	378	24.5	180	350	12-Φ23	12-Φ27

QJPLS valves

德标铸铁硬密封闸阀F5 DIN Cast iron hard seal gate valve F5



主要零件及材料 Main parts and materials

NO.	部件 Parts	材料 Material
1	阀体 Body	球墨铸铁 DI
2	阀瓣 Disc	球墨铸铁 DI
3	密封面环 Sealing face ring	黄铜 Brass
4	螺母 Nut	黄铜 Brass
5	阀杆 Stem	不锈钢 2Cr13
6	阀盖垫片 Bonnet gasket	橡胶 NBR
7	螺栓 Bolt	Q235号钢 Q235
8	阀盖 Bonnet	球墨铸铁 DI
9	定位环 Locking ring	黄铜 Brass
10	铜套 Copper bush	黄铜 Brass
11	O型圈 O-ring	橡胶 EPDM
12	密封圈 Sealing ring	四氟 PTFE
13	中头垫 Dust ring	橡胶 NBR
14	垫片 Gasket	不锈钢 SS304
15	螺栓 Bolt	不锈钢 SS304
16	手轮 Handwheel	球墨铸铁 DI

设计标准 Valve design

技术规范 Technical specification	
设计标准 Valve design	DIN3352-F5
结构长度 Face to Face	DIN3202、ISO5752
试验标准 Pressure test	DIN3230
连接法兰 Flange Drilling	DIN2501/EN1092

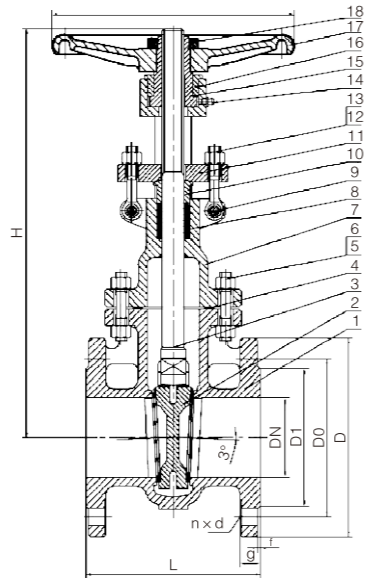
主要外形及连接尺寸 Main external and connecting dimensions(mm)

DN	L	D		D1		D2		B		C	n-Φd	
		PN10	PN16	PN10	PN16	PN10	PN16	DI	GI		PN10	PN16
50	250	165	165	125	125	102	102	19	20	180	4-Φ19	4-Φ19
65	270	185	185	145	145	122	122	19	20	180	4-Φ19	4-Φ19
80	280	200	200	160	160	138	138	19	22	200	4-Φ19	8-Φ19
100	300	220	220	180	180	158	158	19	24	200	8-Φ19	8-Φ19
125	325	250	250	210	210	188	188	19	26	250	8-Φ19	8-Φ19
150	350	285	285	240	240	212	212	19	26	250	8-Φ23	8-Φ23
200	400	340	340	295	295	268	268	20	180	280	8-Φ23	12-Φ23
250	450	395	405	350	355	320	320	22	180	320	12-Φ23	12-Φ27
300	500	445	460	400	410	370	378	24.5	200	350	12-Φ23	12-Φ27



ΦJPLS valves

德标铸钢/不锈钢闸阀F4 DIN Cast steel/stainless steel gate valve F4



主要零件材质 Material Specifications

序号 No.	部件 Parts	材料 Material
1	阀体 Body	GG GS-C25, CF8, CF8M
2	阀瓣 Disc	GS-C25, CF8, CF8M
3	阀杆 Stem	13Cr, F304, F316
5	螺栓 Bolt	A193-B7, A193-B8
7	阀盖 Bonnet	GG GS-C25, CF8, CF8M
8	填料 Packing	Flexible Graphite
17	手轮 Handwheel	A105, F304, F316

设计标准 Valve design

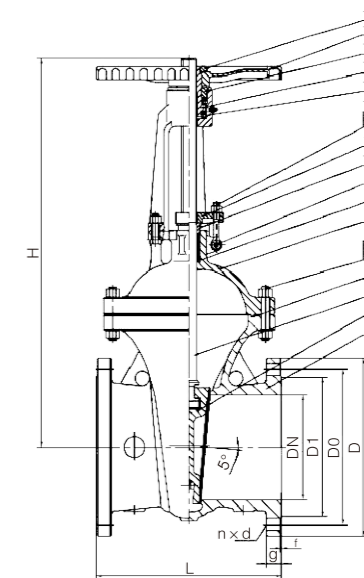
技术规范 Technical specification	
设计标准 Valve design	DIN EN13709-2003
结构长度 Face to Face	DIN EN588-1:1995
试验标准 Pressure test	DIN EN12266:2003
连接法兰 Flange Drilling	DIN EN1092-1:2002

规格尺寸 Main Sizes and Dimensions

公称通径 DN	PN16										PN25										PN40									
	L	D	Do	D1	g	f	n x d	H	W	L	D	Do	D1	g	f	n x d	H	W	L	D	Do	D1	g	f	n x d	H	W			
40	140	150	110	88	18	3	4 x 18	325	200	140	150	110	88	20	3	4 x 18	325	200	140	150	110	88	20	3	4 x 18	325	200			
50	150	165	125	102	18	3	4 x 18	335	200	150	165	125	102	20	3	4 x 18	335	200	150	165	125	102	20	3	4 x 18	335	200			
65	170	185	145	122	18	3	8 x 18	360	200	170	185	145	122	22	3	8 x 18	360	200	170	185	145	122	22	3	8 x 18	360	200			
80	180																													
100	190	220	180	158	20	3	8 x 18	480	200	190	235	190	162	24	3	8 x 22	480	200	190	235	190	162	24	3	8 x 22	480	200			
125	200																													
150	210	285	240	212	22	3	8 x 22	590	250	210	300	250	218	28	3	8 x 26	590	250	210	300	250	218	28	3	8 x 26	590	250			
200	230																													
250	250	405	355	320	26	3	12 x 26	890	350	250	425	370	335	36	3	12 x 30	890	350	250	450	385	345	38	3	12 x 33	890	350			
300	270																													

ΦJPLS valves

德标铸钢/不锈钢闸阀F5 DIN Cast steel/stainless steel gate valve F5



主要零件材质 Material Specifications

序号 No.	部件 Parts	材料 Material
1	阀体 Body	GG GS-C25, CF8, CF8M
2	阀瓣 Disc	GS-C25, CF8, CF8M
3	阀杆 Stem	13Cr, F304, F316
5	螺栓 Bolt	A193-B7, A193-B8
7	阀盖 Bonnet	GG GS-C25, CF8, CF8M
8	填料 Packing	Flexible Graphite
17	手轮 Handwheel	A105, F304, F316

设计标准 Valve design

技术规范 Technical specification	
设计标准 Valve design	DIN EN12288-2003
结构长度 Face to Face	DIN EN588-1:1995
试验标准 Pressure test	DIN EN12266:2003
连接法兰 Flange Drilling	DIN EN1092-1:2002

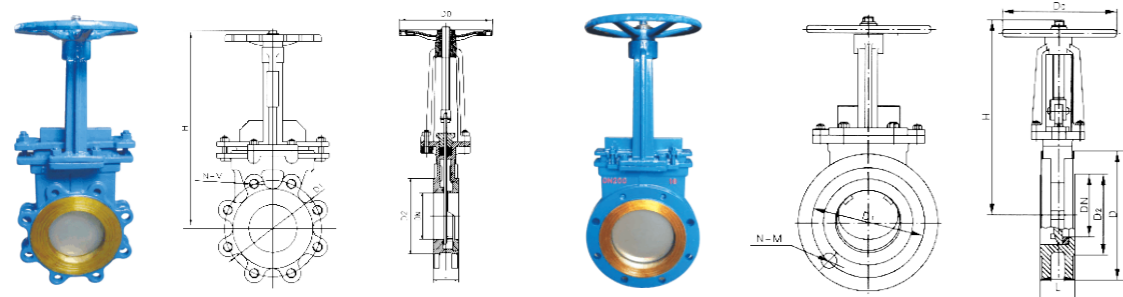
规格尺寸 Main Sizes and Dimensions

公称通径 DN	PN16										PN25										PN40									
	L	D	Do	D1	g	f	n x d	H	W	L	D	Do	D1	g	f	n x d	H	W	L	D	Do	D1	g	f	n x d	H	W			
40	240	150	110	88	18	3	4 x 18	310	200	240	150	110	88	20	3	4 x 18	310	200	240	150	110	88	20	3	4 x 18	310	200			
50	250	165	125	102	18	3	4 x 18	319	250	250	165	125	102	20	3	4 x 18	319	250	250	165	125	102	20	3	4 x 18	319	250			
65	270	185	145	122	18	3	8 x 18	367	250	270	185	145	122	22	3	8 x 18	367	250	270	185	145	122	22	3	8 x 18	367	250			
	200 160 138 20 3 8 x 18 427 250 280 200 160 138 24 3 8 x 18 427 250 280 200 160 138 24 3 8 x 18 427 250																													
100	300	220	180	158	20	3	8 x 18	514	300	300	235	190	162	24	3	8 x 22	514	300	300	235	190	162	24	3	8 x 22	514	300			
	250 210 188 22 3 8 x 18 523 300 325 270 220 188 26 3 8 x 26 523 300 325 270 220 188 26 3 8 x 26 523 300																													
150	350	285	240	212	22	3	8 x 22	625	350	350	300	250	218	28	3	8 x 26	625	350	350	300	250	218	28	3	8 x 26	625	350			
	340 295 268 24 3 12 x 22 715 350 400 360 310 278 34 3 12 x 26 715 350 400 375 320 285 34 3 12 x 30 715 350																													
250	450	405	355	320	26	3	12 x 26	925	450	450	425	370	335	36	3	12 x 30	925	450	450	450	385	345	38	3	12 x 33	925	450			
	460 410 378 28 4 12 x 26 1075 450 500 485 430 395 40 4 12 x 30 1075 450 500 515 450 410 42 4 16 x 33 1075 450																													



ΦJPLS valves

手动凸耳/法兰式刀型闸阀 Manual lug/flanged knife gate valve



技术参数 Technical parameters

公称压力 Nominal pressure	0.6MPa、1.0MPa、1.6MPa、150Lb
公称口径 Nominal diameter	DN50 ~ 1200mm NPS 2" ~ 40"
适用温度 Suitable temperature	-38 ~ +900°C (具体温度范围视密封副材质和介质性质而定 The specific temperature range depends on the material of the seal and the properties of the medium)
连接法兰 Connecting flange	ANSI B16.5、GB/T9113、JB/T79、HG、SH、JIS、DIN、NF、BS
主体材料 Host materials	WCB、ZG1Cr18Ni9Ti、ZG1Cr18Ni12Mo2Ti、CF8、CF8M、CF3、CF3M
密封型式 Seal type	硬密封、软密封 Hard seal, soft seal
泄漏量 leakage	硬密封 D级(液体0.1 × DNmm ³ /s) 软密封 A级(零泄漏) Hard seal D-level (liquid 0.1 × DNmm ³ /s) Soft seal a-level (zero leakage)
配套附件 Provide ancillary	安装法兰 Mounting flange

主要外形及连接尺寸 Main external and connecting dimensions(mm)

MPa	DN	L		D	D1	D2	H	N-M	Do
		系列1 Series 1	系列2 Series 2						
1.0MPa	50	50	48	160	125	100	285	4-M16	180
	65	50	48	180	145	120	298	4-M16	180
	80	50	51	195	160	135	315	4-M16	220
	100	50	51	215	180	155	365	8-M16	220
	125	50	57	245	210	185	400	8-M16	230
	150	60	57	280	240	210	475	8-M20	280
	200	60	70	335	295	265	540	8-M20	360
	250	70	70	390	350	320	630	12-M20	360
	300	80	76	440	400	368	780	12-M20	400
	350	90	76	500	460	428	885	16-M20	400
	400	100	89	565	515	482	990	16-M22	400
	450	120	89	615	565	532	1100	20-M22	530
	500	130	114	670	620	585	1200	20-M22	530
	600	130	114	780	725	685	1450	20-M27	600
	700	154	117	895	840	800	1700	24-M27	600
	800	160	130	1010	950	898	2000	24-M30	680
900	203	160	1110	1050	1005	2300	28-M30	680	
1000	216	216	1220	1160	1115	2500	28-M30	700	
1200	254	254	1450	1380	1325	2800	32-M36	800	

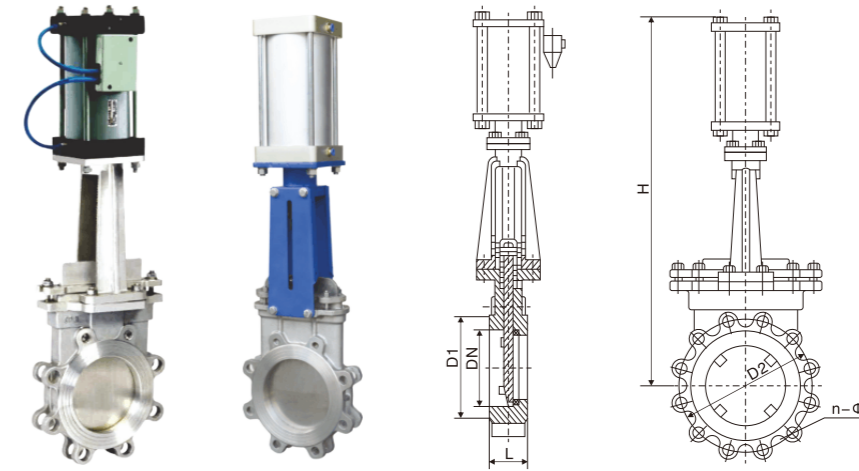
主要外形及连接尺寸 Main external and connecting dimensions(mm)

MPa	DN	L		D	D1	D2	H	N-M	Do
		系列1 Series 1	系列2 Series 2						
1.6MPa	50	50	48	160	125	99	285	4-M16	180
	65	50	48	185	145	120	298	4-M16	180
	80	50	51	200	160	135	315	8-M16	220
	100	50	51	220	180	155	365	8-M16	220
	125	50	57	250	210	185	400	8-M16	230
	150	60	57	285	240	210	475	8-M20	280
	200	60	70	340	295	265	540	12-M20	360
	250	70	70	405	355	320	630	12-M24	360
	300	80	76	460	410	375	780	12-M24	400
	350	90	76	520	470	435	885	16-M24	400
	400	100	89	580	525	485	990	16-M27	400
	450	120	89	640	585	545	1100	20-M27	530
	500	130	114	715	650	609	1200	20-M30	530
	600	130	114	840	770	720	1450	20-M33	600
	700	154	117	910	840	788	1700	24-M33	600
	800	160	130	1025	950	898	2000	24-M36	680
900	203	160	1125	1050	988	2300	28-M36	680	

注明: 系列1为国标GB/T15188.2-1994(德标DIN3202-1999) 系列2为美标MSS SP-81-2006 在客户没有指定结构长度的情况下 优先选用系列1。
 Note: Series 1 is GB/T15188.2-1994 (German standard DIN3202-1999) Series 2 is American standard MSS sp-81-2006
 Series 1 is preferred in cases where the customer does not specify the length of the structure.

ΦJPLS valves

气动刀型闸阀 Pneumatic knife gate valve



技术参数 Technical parameters

公称压力 Nominal pressure	0.6MPa、1.0MPa、1.6MPa、150Lb
公称口径 Nominal diameter	DN50 ~ 1200mm NPS 2" ~ 40"
适用温度 Suitable temperature	-38 ~ +900°C (具体温度范围视密封副材质和介质性质而定 The specific temperature range depends on the material of the seal and the properties of the medium)
连接法兰 Connecting flange	ANSI B16.5、GB/T9113、JB/T79、HG、SH、JIS、DIN、NF、BS
主体材料 Host materials	WCB、ZG1Cr18Ni9Ti、ZG1Cr18Ni12Mo2Ti、CF8、CF8M、CF3、CF3M
密封型式 Seal type	硬密封、软密封 Hard seal, soft seal
泄漏量 leakage	硬密封 D级(液体0.1 × DNmm ³ /s) 软密封 A级(零泄漏) Hard seal D-level (liquid 0.1 × DNmm ³ /s) Soft seal a-level (zero leakage)
配套附件 Provide ancillary	安装法兰 Mounting flange

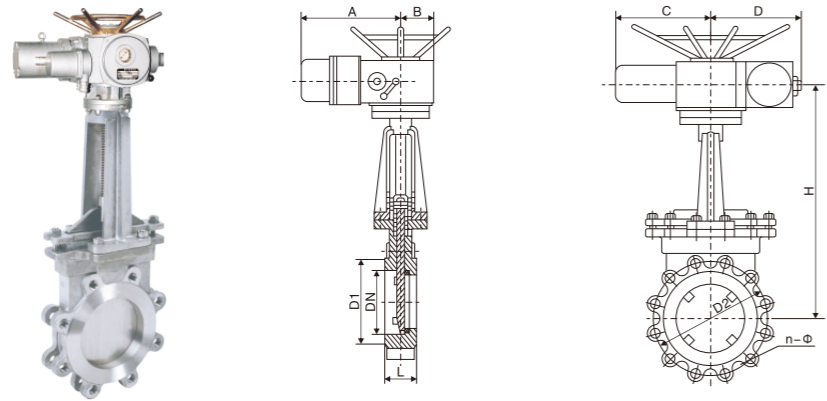
主要外形及连接尺寸 Main external and connecting dimensions(mm)

公称口径 Nominal diameter		L	D	D1	D2	法兰孔数 Flange hole	通孔直径 Spindle bore
Inch	mm						
2"	50	48	152	120.5	92	4-W5/8	19
2 1/2"	65	48	178	139.5	105	4-W5/8	19
3"	80	51	190	152.5	127	4-W5/8	19
4"	100	51	229	190.5	157	8-W5/8	19
5"	125	57	254	216.5	186	8-W3/4	22
6"	150	57	279	241.5	216	8-W3/4	22
8"	200	70	343	298.5	270	8-W3/4	22
10"	250	70	406	362	324	12-W7/8	25
12"	300	76	483	432	384	12-W7/8	25
14"	350	76	533	476	413	12-W1	29
16"	400	89	597	539.5	470	16-W1	29
18"	450	89	635	578	533	16-W11/8	32
20"	500	114	698	635	584	20-W11/8	32
24"	600	114	813	749.5	692	20-W11/4	32
28"	700	117	927	863.6	800	28-W11/4	35
30"	750	117	984	914.4	857	28-W11/4	35
32"	800	130	1060	978	914.4	28-W11/2	41
36"	900	160	1168	1086	1022	32-W11/2	41



JPLS valves

电动刀型闸阀 Electric knife gate valve



技术参数 Technical parameters

公称压力 Nominal pressure	0.6MPa、1.0MPa、1.6MPa、150Lb
公称直径 Nominal diameter	DN50 ~ 1200mm NPS 2" ~ 40"
适用温度 Suitable temperature	-38 ~ +900°C (具体温度范围视密封副材质和介质性质而定 The specific temperature range depends on the material of the seal and the properties of the medium)
连接法兰 Connecting flange	ANSI B16.5、GB/T9113、JB/T79、HG、SH、JIS、DIN、NF、BS
主体材料 Host materials	WCB、ZG1Cr18Ni9Ti、ZG1Cr18Ni12Mo2Ti、CF8、CF8M、CF3、CF3M
密封型式 Seal type	硬密封 Hard seal, 软密封 Soft seal
泄漏量 leakage	硬密封 D级(液体0.1 × DNmm ³ /s) 软密封 A级(零泄漏) Hard seal D-level (liquid 0.1 × DNmm ³ /s) Soft seal a-level (zero leakage)
配套附件 Provide ancillary	安装法兰 Mounting flange

主要外形及连接尺寸 Main external and connecting dimensions(mm)

MPa	DN	L		D	D1	D2	H	N-M	Do
		系列1 Series 1	系列2 Series 2						
1.0MPa	50	50	48	160	125	100	285	4-M16	180
	65	50	48	180	145	120	298	4-M16	180
	80	50	51	195	160	135	315	4-M16	220
	100	50	51	215	180	155	365	8-M16	220
	125	50	57	245	210	185	400	8-M16	230
	150	60	57	280	240	210	475	8-M20	280
	200	60	70	335	295	265	540	8-M20	360
	250	70	70	390	350	320	630	12-M20	360
	300	80	76	440	400	368	780	12-M20	400
	350	90	76	500	460	428	885	16-M20	400
	400	100	89	565	515	482	990	16-M22	400
450	120	89	615	565	532	1100	20-M22	530	
500	130	114	670	620	585	1200	20-M22	530	
600	130	114	780	725	685	1450	20-M27	600	

MPa	DN	L		D	D1	D2	H	N-M	Do
		系列1 Series 1	系列2 Series 2						
1.6MPa	50	50	48	160	125	99	285	4-M16	180
	65	50	48	185	145	120	298	4-M16	180
	80	50	51	200	160	135	315	8-M16	220
	100	50	51	220	180	155	365	8-M16	220
	125	50	57	250	210	185	400	8-M16	230
	150	60	57	285	240	210	475	8-M20	280
	200	60	70	340	295	265	540	12-M20	360
	250	70	70	405	355	320	630	12-M24	360
	300	80	76	460	410	375	780	12-M24	400
	350	90	76	520	470	435	885	16-M24	400
	400	100	89	580	525	485	990	16-M27	400
	450	120	89	640	585	545	1100	20-M27	530
	500	130	114	715	650	609	1200	20-M30	530
600	130	114	840	770	720	1450	20-M33	600	

注明：系列1为国标GB/T15188.2-1994(德标DIN3202-1999) 系列2为美标MSS SP-81-2006 在客户没有指定结构长度的情况下 优先选用系列1。
 Note: Series 1 is GB/T15188.2-1994 (German standard DIN3202-1999) Series 2 is American standard MSS sp-81-2006
 Series 1 is preferred in cases where the customer does not specify the length of the structure.

JPLS valves

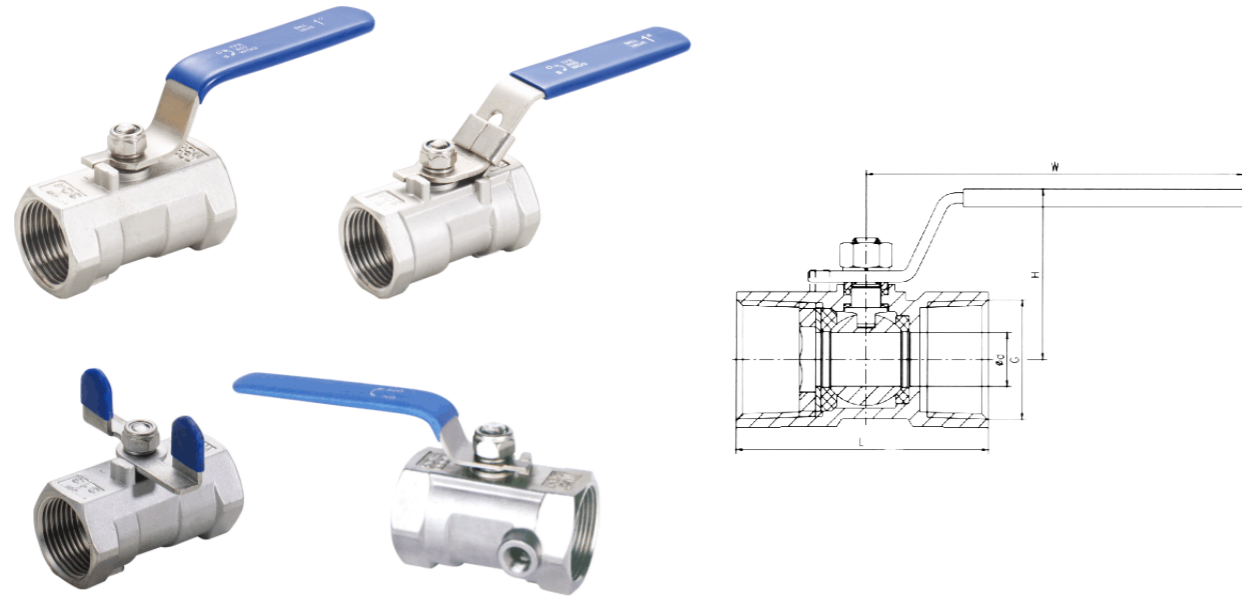
天津普洛斯阀门有限公司
TIANJIN PULOS VALVE CO., LTD.





QJPLS valves

1片式丝扣球阀 1PC Threaded ball valve



主要零件材质 Material Specifications

材料名称 Material Name	Q11F-(16-64)C	Q11F-(16-64)P	Q11F-(16-64)R
阀体 Body	WCB	ZG1Cr18Ni9Ti CF8	ZG1Cr18Ni12Mo2Ti CF8M
球体 Ball	1Cr18Ni9Ti 304	1Cr18Ni9Ti 304	1Cr18Ni12Mo2Ti 316
阀杆 Stem	1Cr18Ni9Ti 304	1Cr18Ni9Ti 304	1Cr18Ni12Mo2Ti 316
密封圈 Sealing	聚四氟乙烯 Polytetrafluorethylene (PTFE)		
填料 Gland Packing	聚四氟乙烯 Polytetrafluorethylene (PTFE)		

性能规范 Specifications

技术规范 Technical specification	
公称压力 Nominal pressure	PN1.6, 2.5, 4.0, 6.4MPa
强度试验压力 Strength testing pressure	PT2.4, 3.8, 6.0, 9.6MPa
低压气密封试验压力 Seat testing pressure (low pressure)	0.6MPa
适用介质 Applicable medium	Q11F-(16-64)C 水、油品、气 Water,Oil,Gas
适用温度 Suitable temperature	-29~180°C
适用介质 Applicable medium	Q11F-(16-64)P 硝酸类 Nitric acid Q11F-(16-64)R 醋酸类 Acetic acid

主要外形及连接尺寸 Main external and connecting dimensions(mm)

DN	G	d	L	H	W
10	3/8"	7	45	30	70
15	1/2"	9	55	34	90
20	3/4"	12	60	38	90
25	1"	15	70	50	110
32	1 1/4"	20	80	56	120
40	1 1/2"	25	86	60	130
50	2"	32	101	65	140
65	2 1/2"	38	117	72	170
80	3"	50	140	105	185

QJPLS valves

2片式丝扣球阀 2PC Threaded ball valve



主要零件材质 Material Specifications

材料名称 Material Name	Q11F-(16-64)C	Q11F-(16-64)P	Q11F-(16-64)R
阀体 Body	WCB	ZG1Cr18Ni9Ti CF8	ZG1Cr18Ni12Mo2Ti CF8M
阀盖 Bonnet	WCB	ZG1Cr18Ni9Ti CF8	ZG1Cr18Ni12Mo2Ti CF8M
球体 Ball	1Cr18Ni9Ti 304	1Cr18Ni9Ti 304	1Cr18Ni12Mo2Ti 316
阀杆 Stem	1Cr18Ni9Ti 304	1Cr18Ni9Ti 304	1Cr18Ni12Mo2Ti 316
密封圈 Sealing	聚四氟乙烯 Polytetrafluorethylene (PTFE)		
填料 Gland Packing	聚四氟乙烯 Polytetrafluorethylene (PTFE)		

性能规范 Specifications

技术规范 Technical specification	
公称压力 Nominal pressure	PN1.6, 2.5, 4.0, 6.4MPa
强度试验压力 Strength testing pressure	PT2.4, 3.8, 6.0, 9.6MPa
低压气密封试验压力 Seat testing pressure (low pressure)	0.6MPa
适用介质 Applicable medium	Q11F-(16-64)C 水、油品、气 Water,Oil,Gas
适用温度 Suitable temperature	-29~180°C
适用介质 Applicable medium	Q11F-(16-64)P 硝酸类 Nitric acid Q11F-(16-64)R 醋酸类 Acetic acid

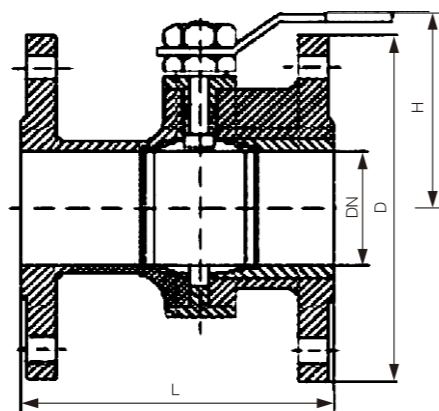
主要外形及连接尺寸 Main external and connecting dimensions(mm)

DN	G	d	L			E		H		W	
			①	②	③	① ②	③	① ②	③		
8	1/4"	10	55	55	57	11.5	14	50	58	90	80
10	3/8"	12	55	60	57	11.5	14	50	58	90	80
15	1/2"	15	63	75	57	14	14	58	58	90	90/80
20	3/4"	20	73	80	65	15	15	62	62	110	110/90
25	1"	25	84	90	76/79	15	15	72	72	120	120/110
32	1 1/4"	32	98	110	88/90	18	18	80	80	130	130/120
40	1 1/2"	38	106	120	97/98	19	19	90	90	150	150/130
50	2"	50	121	140	119/116	19	19	98	98	170	170/150
65	2 1/2"	64	146	185		23		125		220	
80	3"	78	166	205		25		138		240	
100	4"	100	204	240		28		156		300	



ΦJPLS valves

德标铸铁球阀 DIN Cast iron ball valve



主要零件及材料 Main parts and materials

零件名称 Part name	材料 Material
阀体 Body	铸铁 Cast iron
球 Ball	304
阀杆 Stem	416
阀座 Seat	PTFE

设计标准 Valve design

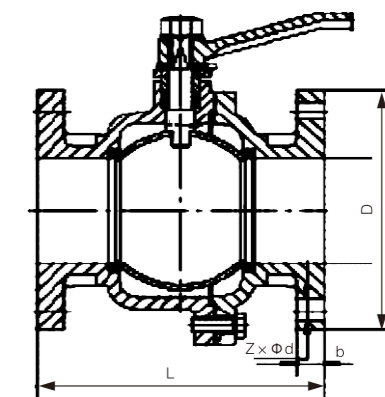
技术规范 Technical specification	
设计标准 Valve design	BS 5159
结构长度 Face to Face	DIN 3202
试验标准 Pressure test	API 598
连接法兰 Flange Drilling	DIN 2501/DIN 2533

主要外形及连接尺寸 Main external and connecting dimensions(mm)

DN	L	D	D1	PCD	n-d
25	125	115	68	85	4-14
32	130	140	78	100	4-18
40	140	150	88	110	4-18
50	150	165	102	125	4-18
65	170	185	122	145	4-18
80	180	200	138	160	8-18
100	190	220	158	180	8-18
125	325	250	188	210	8-18
150	350	285	212	240	8-23
200	400	340	268	295	12-23
250	450	405	320	355	12-27

ΦJPLS valves

日标铸铁球阀 JIS Cast iron ball valve



主要零件及材料 Main parts and materials

零件名称 Part name	材料 Material
阀体 Body	铸铁 Cast iron
球 Ball	304
阀杆 Stem	416
阀座 Seat	PTFE

设计标准 Valve design

技术规范 Technical specification	
设计标准 Valve design	BS5159
结构长度 Face to Face	KS B2306
试验标准 Pressure test	KS B2304
连接法兰 Flange Drilling	KS B1511 JIS B2239

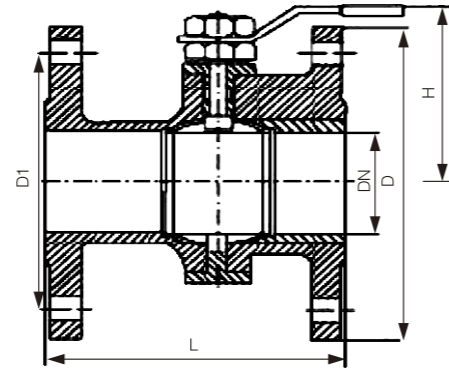
主要外形及连接尺寸 Main external and connecting dimensions(mm)

Size	L	D	b	z-d
40	165	140	19	4-19
50	180	155	20	4-19
65	190	175	20	4-19
80	200	185	21	8-19
100	230	210	22	8-19
125	265	250	22	8-23
150	277	280	23	8-23
200	340	330	26	12-23



ΦJPLS valves

美标铸铁球阀 ANSI Cast iron ball valve



主要零件及材料 Main parts and materials

零件名称 Part name	材料 Material
阀体 Body	铸铁 Cast iron
球 Ball	304
阀杆 Stem	不锈钢 Stainless Steel 416 304
阀座 Seat	PTFE

设计标准 Valve design

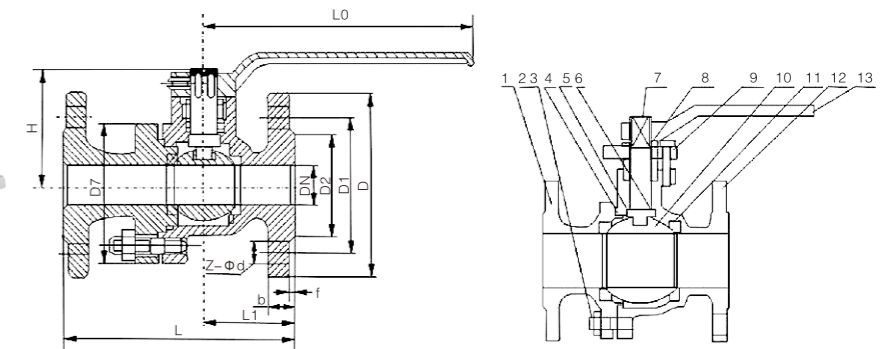
技术规范 Technical specification	
设计标准 Valve design	MSS SP-72
结构长度 Face to Face	ANSI B16.10
试验标准 Pressure test	API598
连接法兰 Flange Drilling	ANSI B16.1

主要外形及连接尺寸 Main external and connecting dimensions(mm)

Size	L	H	D	D1
50	178	144	152	120.65
65	190	163	178	139.7
80	203	187	190	152.5
100	229	205	229	190.5
125	254		254	219.5
150	267		279	241.3
200	292		343	298.45
250	330		406	361.95

ΦJPLS valves

日标铸钢球阀 10K JIS Cast steel ball valve 10K



主要零部件材料 Main part material

No.	零件名称 Accessory name	材料 Material		
1	阀体 Body	A216 WCB	SCS13	SCS13
7	阀杆 Stem	A182-F304	304SS	316SS
9	压盖 Gland Bush	A216-WCB	SCS13	SCS14
10	球体 Ball	A182-F304	304SS	316SS
11	阀座 Seat	PTFE	PTFE	PTFE
12	阀盖 Cover	A216 WCB	SCS13	SCS13
13	手柄 Lever	WCB	WCB	WCB

技术规范 Technical specification

设计标准 Valve design	JIS B2071
结构长度 Face to Face	JIS B2002
试验标准 Pressure test	JIS B2003
连接法兰 Flange Drilling	JIS B1212 B2214

主要外形及连接尺寸 Main external and connecting dimensions(mm)

Pressure	DN	L	D	D1	D2	b	f	H	L0	Z-φd
10K	15	108	95	70	52	12	1	55	115	4-15
	20	117	100	75	58	14	1	59	115	4-15
	25	127	125	90	70	14	1	70	150	4-19
	32	140	135	100	80	16	2	97	150	4-19
	40	165	140	105	85	16	2	97	200	4-19
	50	178	155	120	100	16	2	106	200	4-19
	65	190	175	140	120	18	2	141	320	4-19
	80	203	185	150	130	18	2	150	320	8-19
	100	229	210	175	155	18	2	183	450	8-19
	125	254	250	210	185	20	2	230	800	8-23
20K	150	267	280	240	215	22	2	250	800	8-23
	200	292	330	290	265	22	2	356	940	12-23
	250	330	400	355	325	24	2	453	940	12-25
	15	140	95	70	52	14	1	55	115	4-15
	20	152	100	75	58	16	1	59	115	4-15
	25	165	125	90	70	16	1	70	150	4-19
	32	178	135	100	80	18	2	97	150	4-19
	40	190	140	105	85	18	2	97	200	4-19
	50	216	155	120	100	18	2	106	200	8-19
	65	241	175	140	120	20	2	141	320	8-19
80	283	200	160	135	22	2	150	320	8-23	
100	305	225	185	160	24	2	183	450	8-23	
125	381	270	225	195	26	2	230	800	8-25	
150	403	305	260	230	28	2	250	800	12-25	
200	419	350	305	275	30	2	356	940	12-25	
250	457	430	380	345	34	2	453	940	12-27	

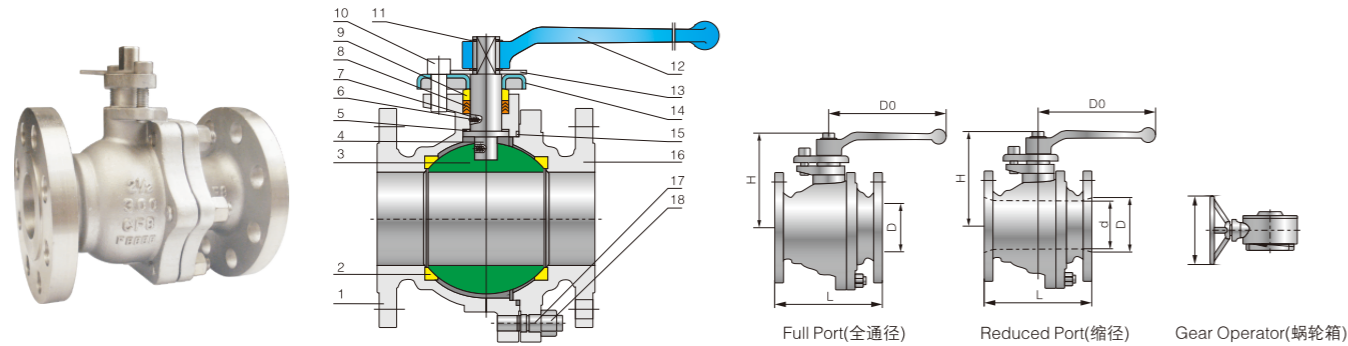


JPLS valves

美标铸钢/不锈钢球阀 ANSI Cast steel/stainless steel ball valves

JPLS valves

天津普洛斯阀门有限公司
TIANJIN PULOS VALVE CO., LTD.



主要零件材质 Material List

序号 No.	部件 Parts	材质 Material
1	阀体 Body	ASTM A216 Gr.WCB
2	阀座密封圈 Seat Seal	PTFE
3	球体 Ball	304S.S.
4	阀杆 Stem	ASTM A182 F6a
5	垫片 Gasket	PTFE
8	填料 Packing	PTFE
12	手柄 Lever	ASTM A216 Gr.WCB
16	阀盖 Bonnet	ASTM A216 Gr.WCB
17	螺栓 Stud	ASTM A193 Gr.B7

设计标准 Valve design

技术规范 Technical specification	
设计标准 Valve design	API 608 / BS 5351 / API 6D
结构长度 Face to Face	ASME B16.10
法兰尺寸 Flanged End	ASME B16.5
阀体壁厚 Shell Wall Thickness	BS 5351
测试标准 Valve Test	API 598

备注: 阀体材质有ASTM A216 WCB、A352 LCB、A217 WC1 WC6、WC9、C5、A351 CF8 CF8M、CF3、CF3M 本表仅以ASTM A216 WCB为例。

结构尺寸 Dimensions

Class 150

Type	NPS(in)	1/2	3/4	1	1 1/2	2	3	4	6	8
全通径 Full bore	D(mm)	13	19	25	38	51	64	76	102	203
	L(mm)	108	117	127	165	178	203	229	394	457
	H(mm)	61	66	76	95	142	156	181	270	345
	Do(mm)	130	130	160	230	400	400	700	300*	300*
缩径 Reduced bore	NPS(in)	3/4*1/2	1*3/4	1 1/2*1	2*1 1/2	3*2	4*3	6*4	8*6	10*8
	L(mm)	117	127	165	178	203	229	267	292	330
	D(mm)	19	25	38	63	76	102	152	203	254
	H(mm)	82	85	100	120	153	162	119	290	340
	Do(mm)	130	130	160	230	400	400	460	300*	300*
	d(mm)	13	19	25	51	63	76	105	152	203

Class 300

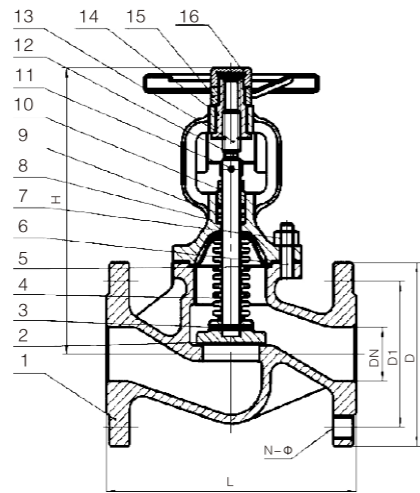
Type	NPS(in)	1/2	3/4	1	1 1/2	2	3	4	6	8
全通径 Full bore	D(mm)	13	19	25	38	51	64	76	102	203
	L(mm)	140	152	165	190	216	282	305	403	419
	H(mm)	62	68	80	100	148	162	188	283	360
	Do(mm)	150	150	180	250	400	400	700	300*	400*
缩径 Reduced bore	NPS(in)	3/4*1/2	1*3/4	1 1/2*1	2*1 1/2	3*2	4*3	6*4	8*6	
	L(mm)	152	165	190	216	282	305	403	419	
	D(mm)	19	25	38	63	76	102	152	203	
	H(mm)	82	85	100	120	153	162	191	290	
	Do(mm)	130	130	160	230	400	400	460	300*	
	d(mm)	13	19	25	50	63	76	102	152	





ØJPLS valves

德标波纹管截止阀 DIN Cast steel bellows globe valves



波纹管截止阀是一种比较新型的截止阀，双重密封，性能可靠。密封面堆焊硬质合金，阀杆表面氮化处理，耐磨，防腐，抗摩擦性能良好，使用寿命长。
用途：广泛应用于石油，化工，制药，化肥，电力行业等各种工况的管路上，切断或接通管路介质。

Bellows Seal Globe Valve is a new kind of globe valves with dual-seal. So its sealing capacity is very good. The sealing surface is bead welding with hard alloy and the stem surface is in "nitrogen treatment". Hence it is the valve of attrition-resistant, good anti-corrosion performance and long service life.
Application: Petrochemical, Power Plant, Steel Mill, Plastic and Paper industries

主要零件及材料 Main parts and materials

零件名称 Part name	材料 Material
1. 阀体 Body	GG GS-C25 SS304 SS316
2. 阀瓣 Disc	C.C+13Cr SS304 SS316
4. 波纹管 Bellows	SS304 SS316
6. 阀盖 Bonnet	GG GS-C25 SS304 SS316
7. 填料 Packing	Graphite, PTFE
10. 压盖 Gland	13Cr, 304, 316

设计标准 Valve design

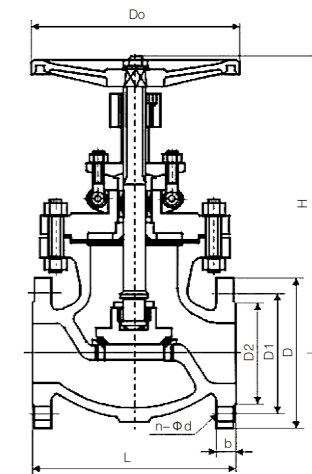
技术规范 Technical specification	
设计标准 Valve design	DIN EN13709-2003
结构长度 Face to Face	DIN EN588-1:1995
连接法兰 Flange Drilling	DIN EN1092-1:2002
试验标准 Pressure test	DIN EN12266:2003

主要外形及连接尺寸 Main external and connecting dimensions(mm)

公称直径 Nominal diameter DN	PN16					PN25					PN40				
	L	D	D1	N-Ø	H	L	D	D1	N-Ø	H	L	D	D1	n-Ø	H
15	130	95	65	4×14	190	130	95	65	4×14	190	130	95	65	4×14	190
20	150	105	75	4×14	190	150	105	75	4×14	190	150	105	75	4×14	190
25	160	115	85	4×14	195	160	115	85	4×14	195	160	115	85	4×14	195
32	180	140	100	4×18	210	180	140	100	4×18	210	180	140	100	4×18	210
40	200	150	110	4×18	220	200	150	110	4×18	220	200	150	110	4×18	220
50	230	165	125	4×18	230	230	165	125	4×18	230	230	165	125	4×18	230
65	290	185	145	8×18	255	290	185	145	8×18	255	290	185	145	8×18	255
80	310	200	160	8×18	270	310	200	160	8×18	270	310	200	160	8×18	270
100	350	220	180	8×18	360	350	235	190	8×22	360	350	235	190	8×22	360
125	400	250	210	8×18	380	400	270	220	8×26	380	400	270	220	8×26	380
150	480	285	240	8×22	415	480	300	250	8×26	415	480	300	250	8×26	415
200	600	340	295	12×22	530	600	360	310	12×26	530	600	375	320	12×30	530
250	730	405	355	12×26	665	730	425	370	12×30	665	730	450	385	12×33	665
300	850	460	410	12×26	720	850	485	430	16×30	720	850	515	450	16×33	720
350	980	520	470	16×26	1020	980	555	490	16×33	1020	980	580	510	16×36	1020
400	1100	580	525	16×26	1180	1100	670	550	16×36	1180	1100	660	585	16×39	1180

ØJPLS valves

日标截止阀 JIS globe valves



主要零件及材料 Main parts and materials

零件名称 Part name	材料 Material
阀体 Body	JIS-SCS13
阀板 Disc	JIS-SCS13
阀杆 Stem	JIS-SUS304
阀盖 Bonnet	JIS-SCS13
手轮 Handwheel	球墨铸铁QT400-15
填料 Packing	聚四氟乙烯PTFE/柔性石墨Flexible graphite
螺栓 Bolt	A193-B8

设计标准 Valve design

技术规范 Technical specification	
设计标准 Valve design	JIS B2071
结构长度 Face to Face	JIS B2002
连接法兰 Flange Drilling	JIS B2212 B2214
试验标准 Pressure test	JIS B2003

备注：阀体材质有WCB、SCS13、SCS13A、SCS14、SCS14A、SCS19、SCS19A、SCS16、SCS16A，本表仅以SCS13举例
Body material WCB, SCS13, SCS13A, SCS14, SCS14A, SCS19, SCS19A, SCS16, SCS16A, this only USES the example of SCS13

主要外形及连接尺寸 Main external and connecting dimensions(mm)

Pressure	Size	L	D	D1	D2	b	H	D0	n-Ød
10K	15	108	92	70	52	12	165	100	4-15
	20	117	100	75	58	14	171	100	4-15
	25	127	125	90	70	14	185	100	4-19
	40	165	140	105	85	16	214	138	4-19
	50	203	155	120	100	16	235	160	4-19
	65	216	175	140	120	18	336	200	4-19
	80	241	185	150	130	18	357	224	8-19
	100	292	210	175	155	18	421	280	8-19
	125	356	250	210	185	20	491	300	8-23
	150	406	280	240	215	22	556	350	8-23
20K	200	495	330	290	265	22	674	450	12-23
	15	152	95	70	52	14	175.5	100	4-15
	20	178	100	75	58	16	176.5	100	4-15
	25	203	125	90	70	16	203	100	4-19
	40	229	140	105	85	18	238	138	4-19
	50	267	155	120	100	18	249	160	8-19
	65	292	175	140	120	20	465	200	8-19
	80	318	200	160	135	22	365	224	8-23
	100	356	225	185	160	24	421	280	8-23
	125	400	270	225	195	26	690	300	8-15
150	444	305	260	230	28	606	350	12-25	
200	559	350	305	275	30	697	450	12-25	



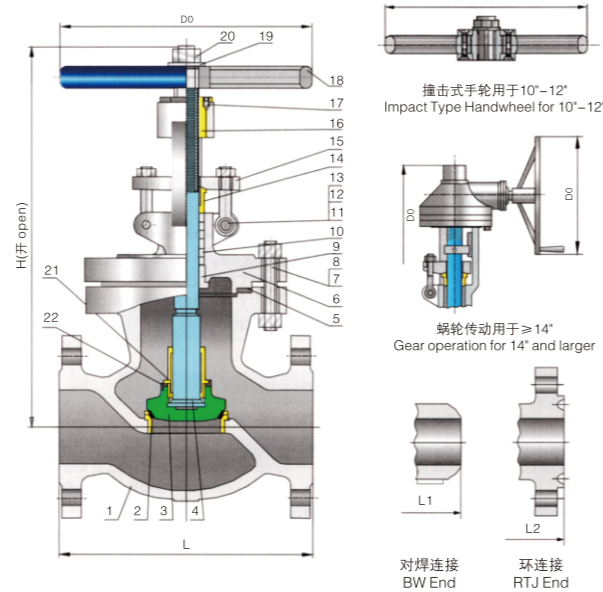
ØJPLS valves

美标截止阀 ANSI globe valves



ØJPLS valves

美标截止阀 ANSI globe valves



主要零件材质 Material List

序号 No.	部件 Parts	材质 Material
1	阀体 Body	ASTM A216 Gr.WCB
2	阀座 Seat	ASTM A105+13Cr
3	阀瓣 Disc	ASTM A105+13Cr
4	阀杆 Stem	ASTM A182 F6a
5	垫片 Gasket	不锈钢与柔性石墨缠绕垫 304S.S. Jacketed Graphite
6	阀盖 Bonnet	ASTM A216 Gr.WCB
10	填料 Packing	柔性石墨 Graphite
16	阀杆螺母 Stem nut	铜铝合金 Aluminum bronze
18	手轮 Handwheel	可锻铸铁 Malleable Iron

备注：阀体材质有ASTM A216 WCB、A352 LCB、A217WC1 WC6、WC9、C5、A351 CF8 CF8M、CF3、CF3M 本表仅以ASTM A216 WCB为例。

设计标准 Valve design

技术规范 Technical specification	
设计及制造标准 Design and manufacture	API 600、BS 1873、MSS SP-70
结构长度 Face to Face	ASME B16.10、ANSI B16.10
法兰尺寸 Flanged End	ASME B16.5、ANSI B16.1
对焊端尺寸 B.W. End	ASME B16.25
阀体壁厚 Shell Wall Thickness	API 600、BS 1873

结构尺寸 Dimensions (Class 150)

阀门尺寸 Valve size	in. mm	1 1/2 40	2 50	2 1/2 65	3 80	4 100	5 125	6 150	8 200	10 250	12 300	14 350	16 400
L-L1 突面-对焊 (RF-BW)	in. mm	6.5 165	8 203	8.5 216	9.5 241	11.5 292	14 356	16 406	19.5 495	24.5 622	27.5 698	31 787	36 914
L2 环连接 (RTJ)	in. mm	7.0 178	8.5 216	9 229	10 254	12 305	14.5 369	16.5 419	20 508	25 635	28 711	31.5 800	36.5 927
H 开 (Open)	in. mm	14.25 326	14.69 373	15.38 390	16.56 421	20.25 515	21.19 538	22.31 567	24.63 626	28 712	39 990	51 1295	63.75 1619
Do	in. mm	7.88 200	7.88 200	9.88 250	9.88 250	11.81 300	11.81 300	13.75 350	15.75 400	17.75 450	20 500	24 610	24 610

结构尺寸 Dimensions (Class 300)

阀门尺寸 Valve Size	in. mm	1 1/2 40	2 50	2 1/2 65	3 80	4 100	5 125	6 150	8 200	10 250	12 300	14 350	16 400
L-L1 突面-对焊 (RF-BW)	in. mm	9 229	10.5 267	11.5 292	12.5 318	14 356	15.75 400	17.5 444	22 559	24.5 622	28 711	33 838	34 864
L2 环连接 (RTJ)	in. mm	9.5 242	11.12 283	12.12 308	13.12 334	14.62 372	16.37 416	18.12 460	22.62 575	25.12 638	28.62 727	33.62 854	34.62 880
H 开 (Open)	in. mm	14.17 360	15.69 398	17.13 436	18.19 462	22.06 560	24.38 620	27.31 694	38.63 982	44.5 1130	41.31 1049	61.25 1556	67 1700
Do	in. mm	7.88 200	7.88 200	9.88 250	9.88 250	13.75 350	15.75 400	17.75 450	22.06 560	34 860	24 610	24 610	24 610

结构尺寸 Dimensions (Class 600)

阀门尺寸 Valve Size	in. mm	2 50	2 1/2 65	3 80	4 100	6 150	8 200	10 250	12 300	14 350	16 400
L-L1 突面-对焊 (RF-BW)	in. mm	11.5 292	13 330	14 356	17 432	22 559	26 660	31 787	33 838	35 889	39 991
L2 环连接 (RTJ)	in. mm	11.62 295	13.12 332	14.12 359	17.12 435	22.12 562	26.12 663	31.12 790	33.12 841	35.12 892	39.12 994
H 开 (Open)	in. mm	16.75 425	19.75 502	20.5 521	24.38 620	34.88 886	36.69 932	41 1040	50.38 1280	70.88 1800	76 1930
Do	in. mm	9.88 250	11.81 300	13.75 350	17.75 450	28.38 720	18.13 460	24 610	30 760	30 760	30 760

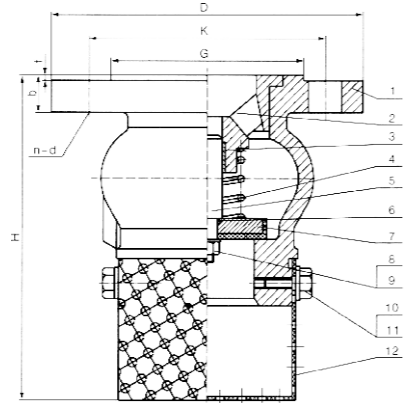
结构尺寸 Dimensions (Class 900/1500/2500)

MPa	阀门尺寸 Valve Size	in. mm	2 50	2 1/2 65	3 80	4 100	6 150	8 200	10 250
Class 900	L-L1 突面-对焊 (RF-BW)	in. mm	14.5 368	16.5 419	15 381	18 457	24 610	29 737	33 838
	L2 环连接 (RTJ)	in. mm	14.62 371	16.62 422	15.12 384	18.12 460	24.12 613	29.12 740	33.12 841
	H 开 (Open)	in. mm	9.44 240	10.25 260	10.25 260	12.63 320	15 382	20.88 530	27.17 690
	Do	in. mm	13.75 350	15.75 400	17.75 450	22.06 560	24 610	24 610	24 610
Class 1500	L-L1 突面-对焊 (RF-BW)	in. mm	14.5 368	16.5 419	18.5 470	21.5 546	27.75 705	32.75 832	
	L2 环连接 (RTJ)	in. mm	14.62 371	16.62 422	18.62 473	21.62 549	28 711	33.13 842	
	H 开 (Open)	in. mm	23.31 592	26 660	27.25 692	35.69 907	40 1015	45.06 1145	
	Do	in. mm	13.75 350	15.75 400	17.75 450	22.06 560	24 610	24 610	
Class 2500	L-L1 突面-对焊 (RF-BW)	in. mm	17.75 451	20 508	22.75 578	26.5 673	36 914		
	L2 环连接 (RTJ)	in. mm	17.87 454	20.25 514	23 584	26.88 683	36.5 927		
	H 开 (Open)	in. mm	27.25 692	29.5 750	31.5 800	47.25 1200	75 1905		
	Do	in. mm	15.75 400	19.69 500	24 610	30 760	30 750		



ΦJPLS valves

底阀 Foot Valve



主要零件材质 Material Specifications

序号 No.	部件 Parts	材料 Material
1	阀体 Body	球墨铸铁 DI、灰铁体 CI
2	阀盖 Bonnet	球墨铸铁 DI、灰铁体 CI
3	衬套 Bushing	黄铜 Brass
4	弹簧 Spring	65Mn
5	引导阀杆 Guiding stem	不锈钢 Stainless steel
6	O型圈 "O" ring	丁腈橡胶 NBR
7	阀瓣 Disc	球墨铸铁/丁腈橡胶 DI/NBR/灰铁体 CI
8	螺母 Nut	碳钢 Carbonsteel

设计标准 Valve design

技术规范 Technical specification	
结构长度 Face to Face	ISO
连接法兰 Flange Drilling	DIN/BS/JIS/ANSI
压力 Pressure	PN10/PN16/10K/150LB

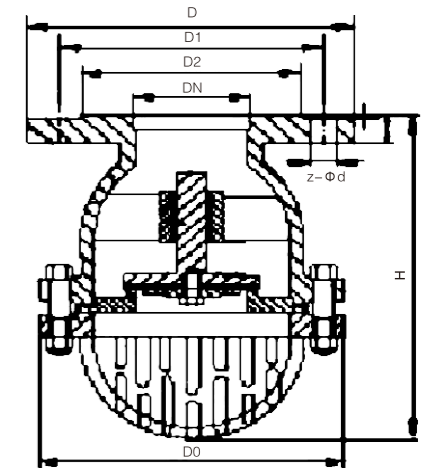
主要外形及连接尺寸 Main external and connecting dimensions(mm)

DN	H	L	K		G		f	B		n-d	
			PN10	PN16	PN10	PN16		PN10	PN16	PN10	PN16
40	143	150	110		84		3	18	18	4-19	4-19
50	165	165	125		99		3	20	20	4-19	4-19
65	201	185	145		118		3	20	20	4-19	4-19
80	221	200	160		132		3	22	22	8-19	8-19
100	265	220	180		156		3	24	24	8-19	8-19
125	300	250	210		184		3	26	26	8-19	8-19
150	360	285	240		211		3	26	26	8-23	8-23
200	470	340	295		266		3	26	30	8-23	12-23
250	568	405	350	355	319		3	28	32	12-23	12-28
300	658	460	400	410	370	370	4	28		12-23	12-28

ΦJPLS valves

底阀 Foot Valve

VSSJAF型双法兰传力接头 Double flanged joint force



主要零件材质 Material Specifications

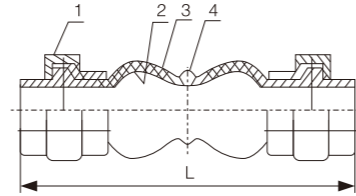
零件名称 Part name	材料 Material
阀体 Body	灰铁体 CI
阀瓣 Disc	灰铁体 CI
密封圈 Sealing ring	氟橡胶 VITON
阀盖 Bonnet	灰铁体 CI

设计标准 Valve design

技术规范 Technical specification	
压力 Pressure	PN2.5, PN10

主要外形及连接尺寸 Main external and connecting dimensions(mm)

型号 Type	Size	D	D1	D2	b-f	z-φd	D0	h0	H
H42X-2.5	50	140	110	90	16-3	4-14	132	17	140
	65	160	130	110	16-3	4-14	167	25	177.5
	80	185	150	125	18-3	4-18	196	32	200.5
	100	205	170	145	18-3	4-18	243	40	226.5
	125	235	200	170	20-3	8-18	274	43	263.5
	150	260	225	200	20-3	8-18	311	58	280.5
	200	315	280	255	22-3	8-18	402	65	380
	250	370	335	310	24-3	12-18	458	84	500
	300	435	395	362	24-4	12-23	515	90	540
	350	485	445	412	26-4	12-23	600	130	600



1、活接头 Union
2、内外胶层 Outer/inner rubber
3、骨架层 Skeleton layer
4、钢丝圈 Wire ring

主要零件材质 Material Specifications

序号 No.	部件 Parts	材料 Material
1	筒体 Body	天然橡胶 NR、氯丁橡胶 CR、丁基橡胶 IIR、丁腈橡胶 NBR、氟橡胶 FKM、三元乙丙橡胶 EPDM
2	内、外衬 Inner & Outer Rubber	天然橡胶 NR、氯丁橡胶 CR、丁基橡胶 IIR、丁腈橡胶 NBR、氟橡胶 FKM、三元乙丙橡胶 EPDM、聚四氟乙烯 PTFE
3	主体骨架 Body Carcass	尼龙窗布 Nylon cord fabric
4	增压环 Reinforcing Ring	多股镀锌钢丝 Multi-strand coppering steel wire
5	螺纹活接头 Threaded union	铸造、锻造碳钢 Cast and forged carbon steel (Q235) 不锈钢 Stainless steel (201、304、316、321) 塑料 Plastic (CPVC、PVDF、PPH、UPVC、RPP)

技术条件 Technical Parameters

项目 Item	型号 Model	KST-L-10
工作压力 MPa(kgf/cm ²) Working pressure		1.0(10) 1.6(16)
爆破压力 MPa(kgf/cm ²) Expulsion pressure		2.0(20) 3.0(30)
真空度 KPa(mm/Hg) Vacuum		53.3(400) 86.7(650)
适用温度 °C Applicable Temperature		-20°C~+115°C (特殊可达 -30°C~+250°C) -20°C~+115°C(-30°C~+250°C under special conditions)
适用介质 Applicable Media		空气、压缩空气、水、海水、热水、油、酸、碱等 Air, compressed air, water, sea water, hot water, oil, acid, alkali, and so on

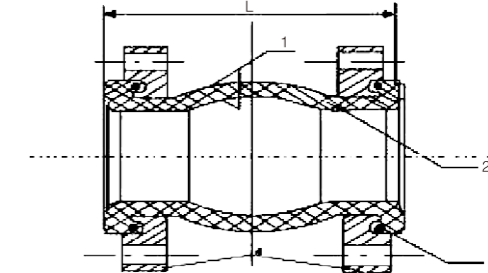
主要数据 Main data

公称口径 DN Nominal Diameter		长度 Length(mm)		轴向位移 Axial displacement mm		横向位移 Horizontal displacement (mm)	偏转角度 Angular deflection (a1+a2)
毫米 mm	英寸 inch	A型	B型	伸长 Extension	压缩 Compression		
15	0.5	180	200	5	10	20	45
20	0.75	200	200	5	10	20	45
25	1	210	200	5	10	20	45
32	1.25	210	200	5	10	20	45
40	1.5	220	200	5	10	20	45
50	2	220	200	5	10	20	45
65	2.5	240	240	5	10	20	45
80	3	285	285	5	10	20	45

注：特殊要求可按用户图纸制作，螺纹活接头标准采用(ISO、ASME、BS、JIS等)螺纹标准生产。橡胶球体可做天然橡胶、三元乙丙橡胶、氯丁橡胶、丁基橡胶、丁腈橡胶、氟橡胶等。

Note: For OEM orders with special requirement, threaded unions should be made according to customers' drawings. Thread standard can be ISO, ASME, BS JIS, etc. Material of rubber body can be NR natural rubber, EPDM, Neoprene, IIR butyl rubber, NBR Buna-N, FKM, etc.

KXT-A型可曲挠橡胶接头
KXT-A Flexible Rubber Joint



技术条件 Technical Parameters

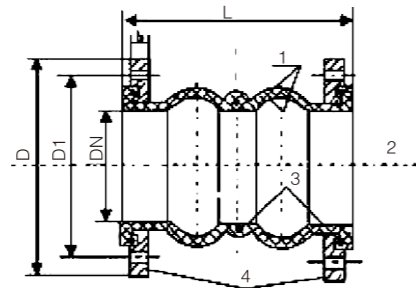
项目 Item	型号 Model	KXT-A1	KXT-A2	KXT-A3
工作压力 MPa(kgf/cm ²) Working pressure		1.0(10)	1.6(16)	2.5(25)
爆破压力 MPa(kgf/cm ²) Expulsion pressure		2.0(20)	3.0(30)	4.5(45)
真空度 KPa(mm/Hg) Vacuum		53.3(400)	86.7(650)	100(750)
适用温度 °C Applicable Temperature		-15°C~+115°C (特殊可达 -30°C~+250°C) -15°C~+115°C(-30°C~+250°C under special conditions)		
适用介质 Applicable Media		空气、压缩空气、水、海水、热水、油、酸、碱等 Air, compressed air, water, sea water, hot water, oil, acid, alkali, and so on		

主要数据 Main data

公称口径 DN Nominal Diameter		长度 Length(mm)	轴向位移 Axial displacement mm		横向位移 Horizontal displacement (mm)	偏转角度 Angular deflection (a1+a2)
毫米 mm	英寸 inch		伸长 Extension	压缩 Compression		
32	1.25	95	6	9	9	15
40	1.5	95	6	10	9	15
50	2	105	7	10	10	15
65	2.5	115	7	13	11	15
80	3	135	8	15	12	15
100	4	150	10	19	13	15
125	5	165	12	19	13	15
150	6	180	12	20	14	15
200	8	210	16	25	22	15
250	10	230	16	25	22	15
300	12	245	16	25	22	15
350	14	255	16	25	22	15
400	16	255	16	25	22	15
450	18	255	16	25	22	15
500	20	255	6	25	22	15
600	24	260	6	25	22	15
700	28	260	16	25	22	15
800	32	260	16	25	22	15
900	36	260	6	25	22	15
1000	40	260	18	26	24	15
1200	48	260	18	26	24	15
1400	56	350	20	28	26	15
1600	64	350	25	35	30	10

双球橡胶接头 Double ball rubber joint

KXT-S型可曲挠双球体橡胶接头
KXT-S Flexible Dual-Spherical Rubber Joint



技术条件 Technical Parameters

项目 Item	型号 Model	KXT-S1	KXT-S2	KXT-S3
工作压力 MPa(kgf/cm ²) Working pressure		1.0(10)	1.6(16)	2.5(25)
爆破压力 MPa(kgf/cm ²) Explosion pressure		2.0(20)	3.0(30)	4.5(45)
真空度 KPa(mm/Hg) Vacuum		53.3(400)	86.7(650)	100(750)
适用温度 °C Applicable Temperature		-15°C~+115°C特殊可达-30°C~+250°C -15°C~+115°C(-30°C~+250°C under special conditions)		
适用介质 Applicable Media		空气、压缩空气、水、海水、热水、油、酸、碱等 Air, compressed air, water, sea water, hot water, oil, acid, alkali, and so on		

主要数据 Main data

公称通径 DN Nominal Diameter	长度 L (mm)	法兰厚度 Flange thickness (mm)	螺栓数 Bolts Qty n	螺栓孔直径 D Diameter of Bolt hole (mm)	螺栓孔 中心圆直径 D1 (mm)	轴向位移 Axial displacement (mm)		横向位移 Horizontal displacement (mm)	偏转角度 Angular deflection (a1+a2)
						伸长 Extension	压缩 Compression		
40	1.5	150	4	18	110	10	20	20	30
50	2	150	4	18	125	10	20	20	30
65	2.5	150	4	18	145	10	20	20	30
80	3	150	8	18	160	10	20	20	30
100	4	200	8	18	180	15	30	25	30
125	5	200	8	23	210	15	3.0	25	30
150	6	200	8	23	240	15	30	25	30
200	8	220	8	23	295	20	40	30	30
250	10	220	12	23	350	20	40	30	30
300	12	320	12	23	400	20	40	30	30
350	14	320	16	23	460	20	40	30	30
400	16	320	16	25	515	20	40	30	30
450	18	320	20	25	565	25	45	30	30
500	20	320	20	25	620	25	45	30	30
600	24	320	20	30	725	25	45	30	30

注:

- 特殊要求可按用户图纸制作, 法兰标准采用GB/T9115.1-2000, 球体可做丁腈橡胶, 三元乙丙, 氯丁橡胶等材质。
- 悬空给水使用DN200以上产品, 管道必须有固定支撑或固定托架, 否则产品应安装防拉脱装置。
- 用户使用橡胶接头, 对应法兰应是阀门法兰或符合GB/T9115.1(RF)法兰。

Notes:

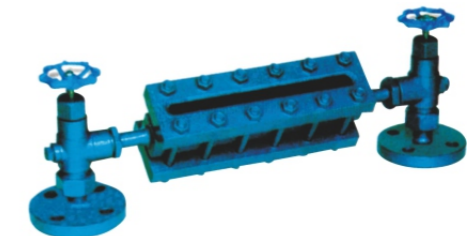
- For special order, products can be made according to customer's requirements, flange standard is based on GB/T9115.1-2000, the materials of spheres are Buna, EPDM, chloroprene rubber and so on.
- The product with DN > 200mm is available for water supplying overhead. The pipe must be equipped with fixed support or fixed bracket, if not, the product shall be installed with escapement.
- When using Rubber Joints, the matching flanges should be valve flanges or GB/T9115.1(RF) FLANGES.

液位计 Level gauge



型号 Type	快装式液位计 Quick mount level gauge
名称 Name	玻璃管液位计 Glass tube level gauge
公称压力 Nominal pressure	1.6(MPa)
公称通径 Nominal diameter	20(mm)
公称长度 Nominal length	500~2000(mm)
介质温度 Medium temperature	≤ 200°C
主要材质 Main material	Q235-A碳钢 1Cr18Ni9不锈钢 Q235-A Carbon steel 1Cr18Ni9 Stainless steel

型号 Type	X49W-16P系列 X49W-16P series
名称 Name	玻璃管液位计 Glass tube level gauge
公称压力 Nominal pressure	1.6(MPa)
公称通径 Nominal diameter	20(mm)
公称长度 Nominal length	500~2000(mm)
介质温度 Medium temperature	≤ 150°C
主要材质 Main material	Q235-A碳钢 1Cr18Ni9不锈钢 Q235-A Carbon steel 1Cr18Ni9 Stainless steel



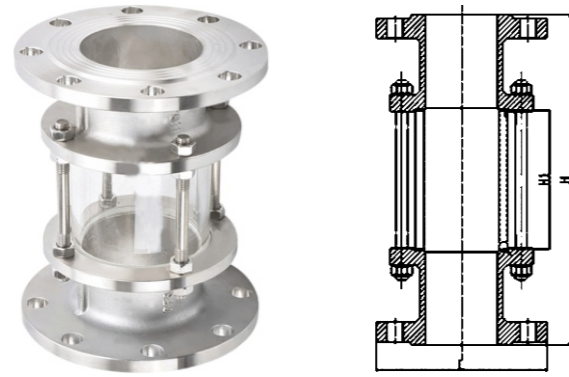
型号 Type	HG5-227-80系列 HG5-227-80 series
名称 Name	玻璃管液位计 Glass tube level gauge
公称压力 Nominal pressure	1.6(MPa)
公称通径 Nominal diameter	20(mm)
公称长度 Nominal length	500~2000(mm)
介质温度 Medium temperature	≤ 150°C
主要材质 Main material	Q235-A碳钢 1Cr18Ni9不锈钢 Q235-A Carbon steel 1Cr18Ni9 Stainless steel

型号 Type	HG5-1365-80系列 HG5-1365-80 series
名称 Name	透光式玻璃板液位计 Transparent glass plate level gauge
公称压力 Nominal pressure	6.3(MPa)
公称通径 Nominal diameter	20(mm)
公称长度 Nominal length	500~1750(mm)
介质温度 Medium temperature	≤ 0~250°C
主要材质 Main material	Q235-A碳钢 1Cr18Ni9不锈钢 Q235-A Carbon steel 1Cr18Ni9 Stainless steel



型号 Type	80系列 80 series
名称 Name	玻璃板液位计 Glass plate level gauge
公称压力 Nominal pressure	0.6(MPa)
公称通径 Nominal diameter	18 × 304(mm)
公称长度 Nominal length	80 × 366(mm)
介质温度 Medium temperature	≤ 250°C
连接方式 Connection mode	焊接 Welding
主要材质 Main material	Q235-A碳钢 1Cr18Ni9不锈钢 Q235-A Carbon steel 1Cr18Ni9 Stainless steel

型号 Type	HG5-1370-80系列 HG5-1370-80 series
名称 Name	玻璃板液位计 Glass plate level gauge
公称压力 Nominal pressure	0.6(MPa)
公称通径 Nominal diameter	18 × 304(mm)
公称长度 Nominal length	80 × 366(mm)
介质温度 Medium temperature	≤ 250°C
连接方式 Connection mode	焊接 Welding
主要材质 Main material	Q235-A碳钢 1Cr18Ni9不锈钢 Q235-A Carbon steel 1Cr18Ni9 Stainless steel



概述 Overview

视镜也称玻璃管视镜，是一个使用非常广泛的俗称，视镜是工业管道装置上主要附件之一，在石油、化工、医药、食品等工业生产装置的管道中，视镜能随时观察管道中的液体、气体、蒸气等介质的流动及反应情况，起到监视生产、避免生产过程中事故发生的作用。

Cup also calls the glass lens, is a very widely used commonly known as, depending on the cup is one of the industrial pipeline device mainly accessories, in petroleum, chemical, pharmaceutical, food and other industrial pipe production equipment, depending on the cup of the pipeline can be observed at any time the flow of the liquid, gas, steam medium and reaction conditions, monitoring production, avoid accidents during production.

主要零件材质 Material Specifications

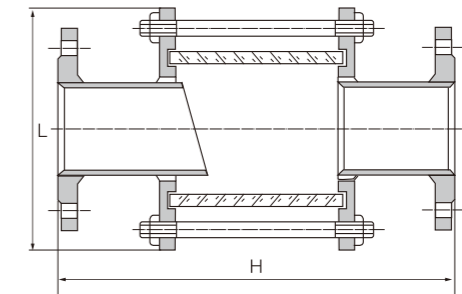
壳体材质 Shell material	碳钢、不锈钢、玻璃钢、衬氟碳钢 Carbon steel, stainless steel, fiberglass, fluorocarbon steel	
视窗材质 Windows material	钢化硼硅玻璃 Toughened borosilicate glass	石英玻璃 Quartz glass
工作温度 Working temperature(°C)	0-250	0-800
公称压力 Nominal pressure (Mpa)	< 0.25	0.6-1.6
密封件材质 Sealing material	丁腈橡胶、聚四氟乙烯 Nitrile rubber, polytetrafluoroethylene	
连接形式 connection type	螺纹连接、法兰连接 Threaded connection, flange connection	
允许急变温度 Allowable temperature change(°C)	< 60	

主要外形及连接尺寸 Main external and connecting dimensions(mm)

型号 type	Size DN	PN0.25MPa				PN0.6MPa					
		外形尺寸 Overall dimensions		玻璃板 Glass plate		型号 type	Size DN	外形尺寸 Overall dimensions		玻璃板 Glass plate	
		H	L	直径 Diameter	厚度 Thickness			H	L	直径 Diameter	厚度 Thickness
HGS07-126	25	36	140	62	6	HGS07-127	25	360	165	93	10
	32	36	170	90	7		32	360	175	98	10
	40	36	170	90	7		40	360	178	105	12
	50	36	170	90	7		50	360	190	118	12
	65	36	195	116	8		65	360	195	123	15
	80	36	230	144	9		80	360	220	129	15
	100	36	230	144	9		100	360	135	155	15



HGS07-101
HGS07-102
钢制直通视镜
Steel straight through mirror



概述 Overview

直通视镜：用于排液或受槽前的回流，冷却水等液体管路上以观察液体流动情况。

Through view mirror: it is used to drain or receive the liquid before the tank reflux, cooling water and other liquid pipeline to observe the liquid flow situation.

阀体材料 Body material

有碳钢、不锈钢、衬胶、衬氟及304、316等多种。公称压力范围：有2.5、6kg/cm两种。

工作温度：金属的在200°C以下，塑料的在80°C以下，允许急变温度80°C，公称直径：15-150cm。

Carbon steel, stainless steel, lining rubber, lining fluorine and 304, 316, etc. Nominal pressure range: 2.5, 6kg/cm two types.

Working temperature: below 200°C for metal, below 80°C for plastic, 80°C for sudden change allowed, nominal diameter: 15-150cm.

主要外形及连接尺寸 Main external and connecting dimensions(mm)

Size	mm	Inch	Pg=2.5kg/cm ²				图号 Drawing No.	Pg=6kg/cm ²				图号 Drawing No.
			外形尺寸 Overall dimensions		玻璃板 Glass plate			外形尺寸 Overall dimensions		玻璃板 Glass plate		
			H	L	直径 Diameter	厚度 Thickness		H	L	直径 Diameter	厚度 Thickness	
15	1/2	200	181	65	10	HGS 07-101-01-1-7	200	189	65	10	HGS 07-102-15-1-7	
20	3/4	200	181	65	10	HGS 07-101-02-1-7	200	189	65	10	HGS 07-102-20-1-7	
25	1	200	181	65	10	HGS 07-101-03-1-7	200	189	65	10	HGS 07-102-25-1-7	
32	1 1/4	260	226	95	15	HGS 07-101-04-1-7	260	234	95	15	HGS 07-102-32-1-7	
40	1 1/2	260	226	95	15	HGS 07-101-05-1-7	260	234	95	15	HGS 07-102-40-1-7	
50	2	320	266	140	20	HGS 07-101-06-1-7	320	278	140	20	HGS 07-102-50-1-7	
65	2 1/2	320	266	140	20	HGS 07-101-07-1-7	320	278	140	20	HGS 07-102-65-1-7	
80	3	360	300	140	20	HGS 07-101-08-1-7	360	308	165	20	HGS 07-102-80-1-7	
100	4	360	300	165	20	HGS 07-101-09-1-7	360	308	140	20	HGS 07-102-100-1-7	
125	5	440	356	165	20	HGS 07-101-10-1-7	440	350	165	20	HGS 07-102-125-1-7	
150	6	440	356	165	20	HGS 07-101-11-1-7	440	350	165	20	HGS 07-102-150-1-7	